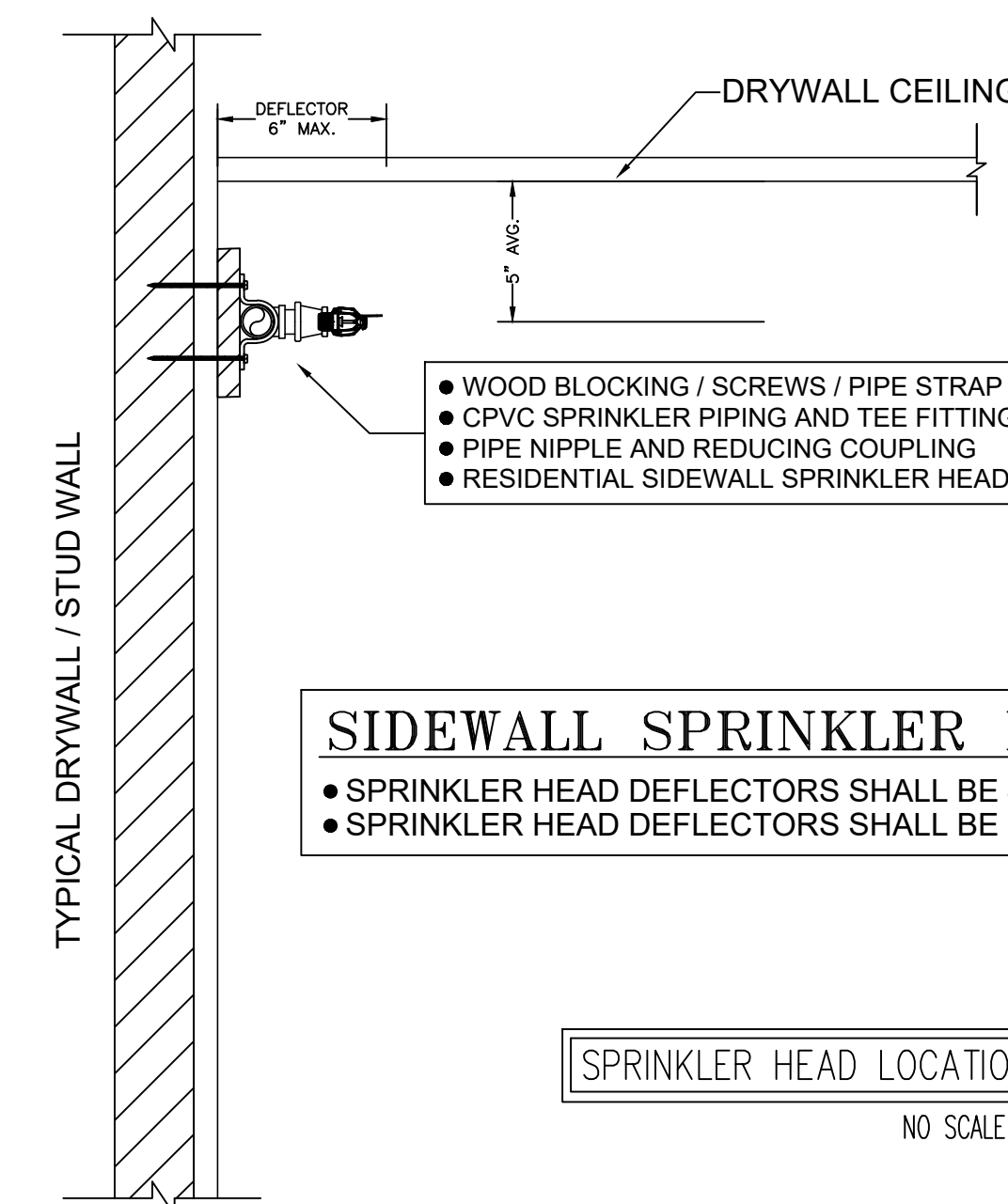
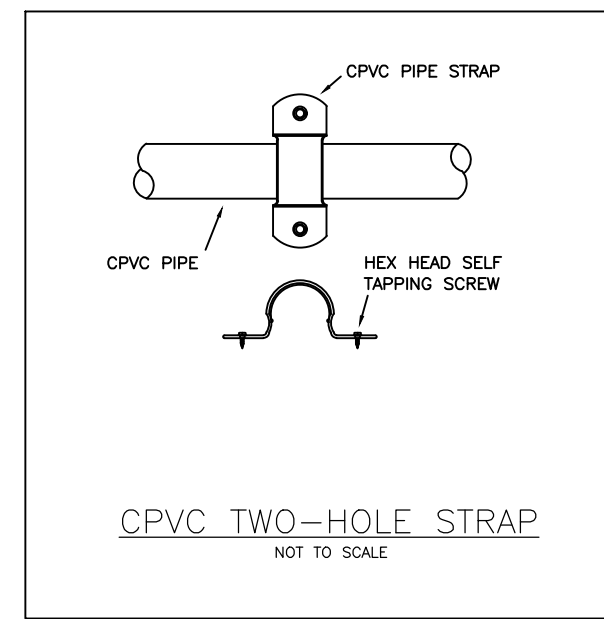


CPVC PIPE HANGER LOCATION DETAIL						
PIPE SIZE	TABLE 1		TABLE 2		TABLE 3	
	LESS THAN 100 psi	MORE THAN 100 psi	LESS THAN 100 psi	MORE THAN 100 psi	LESS THAN 100 psi	MORE THAN 100 psi
3/4"	6"	6"	4'-0"	3'-0"	5'-6"	5'-6"
1"	12"	9"	5'-0"	4'-0"	6'-0"	6'-0"
1-1/4"	16"	12"	6'-0"	5'-0"	6'-6"	6'-6"
1-1/2"	24"	12"	7'-0"	7'-0"	7'-0"	7'-0"
2"	24"	12"	7'-0"	7'-0"	8'-0"	8'-0"
2-1/2"	24"	12"	7'-0"	7'-0"	9'-0"	9'-0"
3"	24"	12"	7'-0"	7'-0"	10'-0"	10'-0"

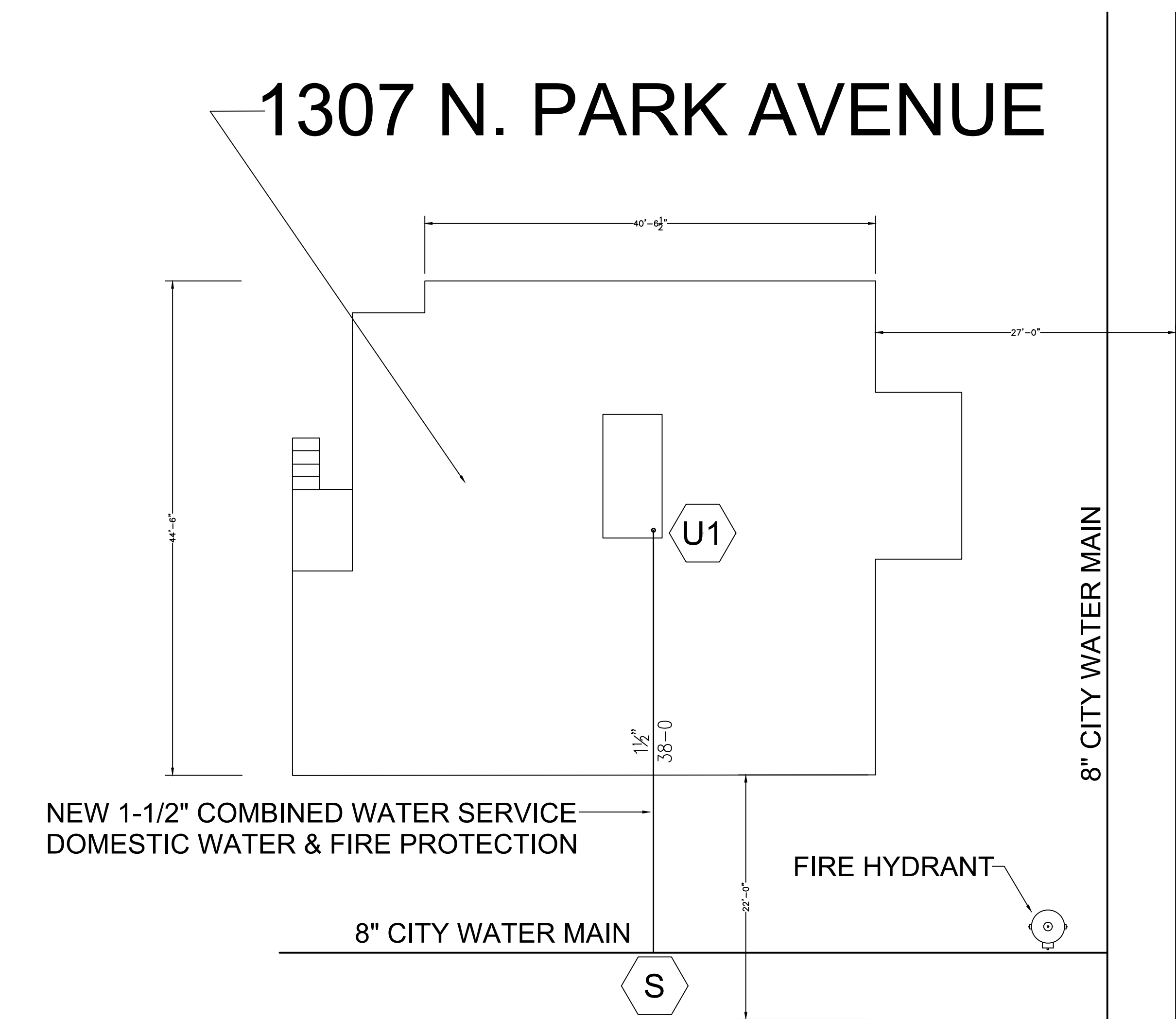


SIDEWALL SPRINKLER HEAD POSITIONING

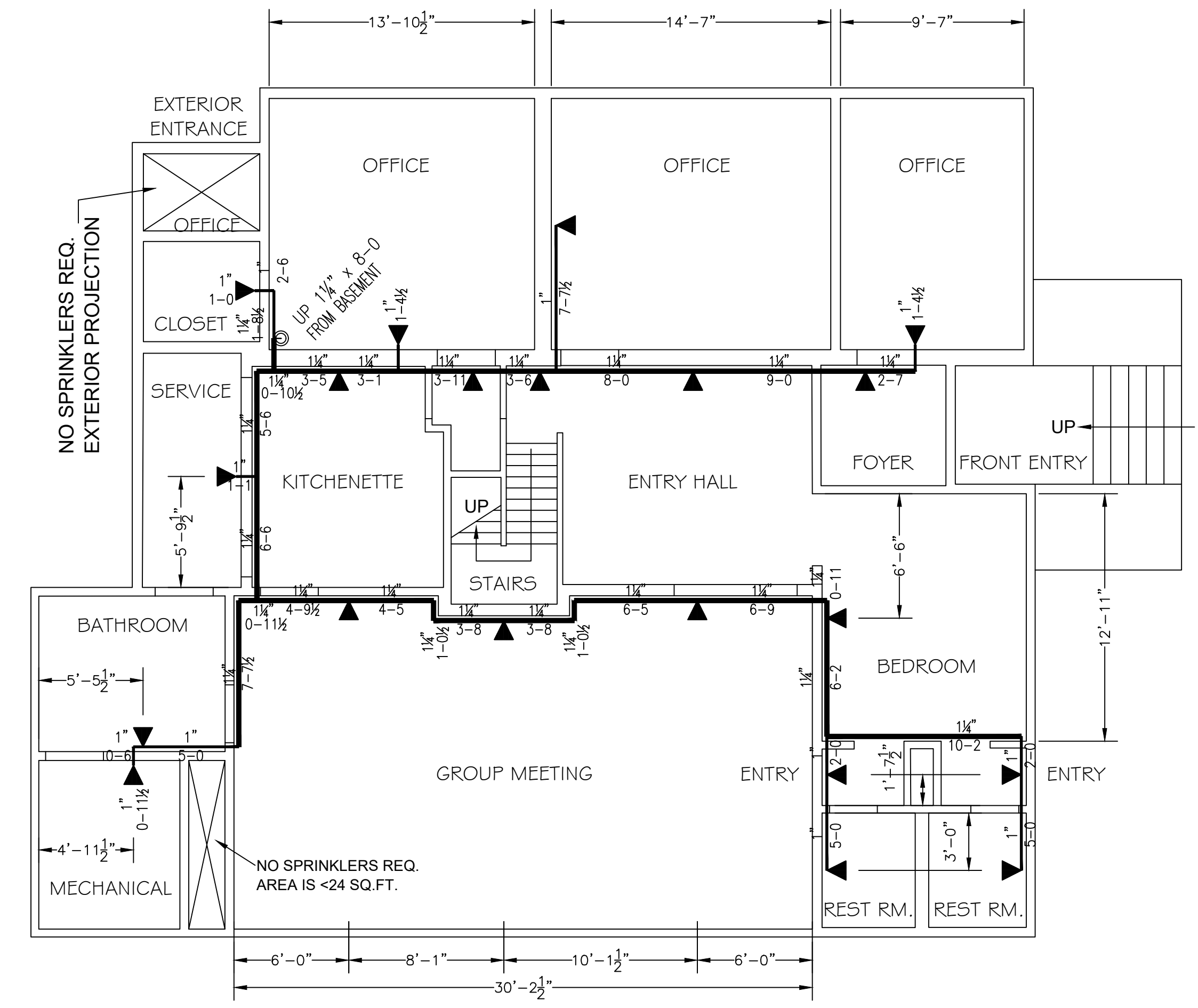
- SPRINKLER HEAD DEFLECTORS SHALL BE 4"-6" MAX. DOWN FROM THE CEILING
- SPRINKLER HEAD DEFLECTORS SHALL BE 6" MAX. FROM THE FACE OF WALLS

SPRINKLER HEAD LOCATION / HANGER DETAIL
NO SCALE

1307 N. PARK AVENUE



N. PARK AVENUE



FIRST FLOOR PLAN
SCALE: 3/16"=1'-0"

FIRST FLOOR AREA = 2,050 SQ.FT.
(20) SPRINKLERS - INSTALL 6" DN. FROM CLG.

Job: 1307 N. PARK PROJECT
1307 N. PARK AVE. WARREN, OH 44481

PLAN NOTES		SYMBOLS		SPRINKLERS		SPRINKLER DESCRIPTION		SITE PLAN / 1ST FLOOR / GENERAL NOTES																																					
<ol style="list-style-type: none"> All Pipe Locations are to be Field Measured Prior to Fabrication and Installation by Sprinkler Contractor. All Pipe Dimensions Shown are Center to Center. High Temperature Heads are to be Field Located Where Required. All Pipes and Hangers are to be Installed per NFPA #13. Hangers are to be U.L. Listed and F.M. Approved. 		<table border="1"> <tr> <th>Symbol</th> <th>Description</th> </tr> <tr> <td>○</td> <td>Hydraulic Reference Points</td> </tr> <tr> <td>[+ 6 sq]</td> <td>Elev. Below Top of Steel</td> </tr> <tr> <td>[+ 6]</td> <td>Elev. Above Finished Floor</td> </tr> <tr> <td>+ (05 20'-0")</td> <td>Elev. of Top of Steel</td> </tr> <tr> <td>⊙</td> <td>Ceiling Height</td> </tr> <tr> <td>○</td> <td>Denotes Hanger Location</td> </tr> <tr> <td>○</td> <td>Rate up or down</td> </tr> </table>		Symbol	Description	○	Hydraulic Reference Points	[+ 6 sq]	Elev. Below Top of Steel	[+ 6]	Elev. Above Finished Floor	+ (05 20'-0")	Elev. of Top of Steel	⊙	Ceiling Height	○	Denotes Hanger Location	○	Rate up or down	<table border="1"> <tr> <th>SYM. QTY.</th> <th>SPRINKLERS</th> </tr> <tr> <td>20</td> <td>TY2334 4.4K 155° TYCOLEFI WHITE RESID. SIDEWALL</td> </tr> </table>		SYM. QTY.	SPRINKLERS	20	TY2334 4.4K 155° TYCOLEFI WHITE RESID. SIDEWALL	<table border="1"> <tr> <th>Contract No.</th> <th>Drawn By</th> <th>Scale</th> <th>Date</th> <th>Approval</th> </tr> <tr> <td>RPK</td> <td>AS NOTED</td> <td>2/14/19</td> <td>WARREN BLDG. DEPT.</td> <td></td> </tr> </table>		Contract No.	Drawn By	Scale	Date	Approval	RPK	AS NOTED	2/14/19	WARREN BLDG. DEPT.		<table border="1"> <tr> <th>Revisions:</th> <th>Date:</th> </tr> <tr> <td></td> <td></td> </tr> </table>		Revisions:	Date:			<p>Richard P. Kossler Ohio Fire Protection Systems Component Designer #2278 NICET Level IV Automatic Sprinkler System Layout Certification #15357</p>	
Symbol	Description																																												
○	Hydraulic Reference Points																																												
[+ 6 sq]	Elev. Below Top of Steel																																												
[+ 6]	Elev. Above Finished Floor																																												
+ (05 20'-0")	Elev. of Top of Steel																																												
⊙	Ceiling Height																																												
○	Denotes Hanger Location																																												
○	Rate up or down																																												
SYM. QTY.	SPRINKLERS																																												
20	TY2334 4.4K 155° TYCOLEFI WHITE RESID. SIDEWALL																																												
Contract No.	Drawn By	Scale	Date	Approval																																									
RPK	AS NOTED	2/14/19	WARREN BLDG. DEPT.																																										
Revisions:	Date:																																												
<p>Contractor: ES&C Electronic Systems Consultants</p>		<p>DESIGN: NFPA #13D CONTRACT: 142</p>		<p>TOTAL SPERS CONTRACT: 142</p>		<p>WARREN BLDG. DEPT.</p>		<p>WARREN BLDG. DEPT.</p>																																					