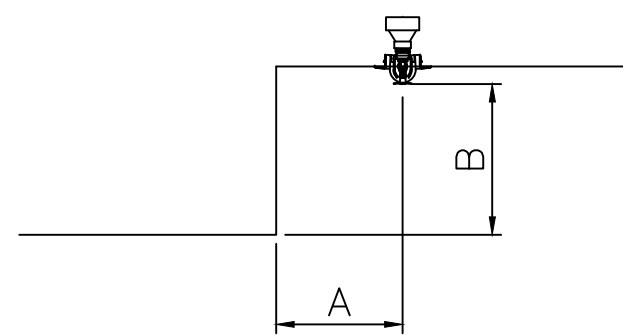


NFPA 13: TABLE 8-8.5.1.2 (2007) EXTENDED COVERAGE SPRINKLERS POSITIONING OF SPRINKLERS TO AVOID OBSTRUCTION OF DISCHARGE.

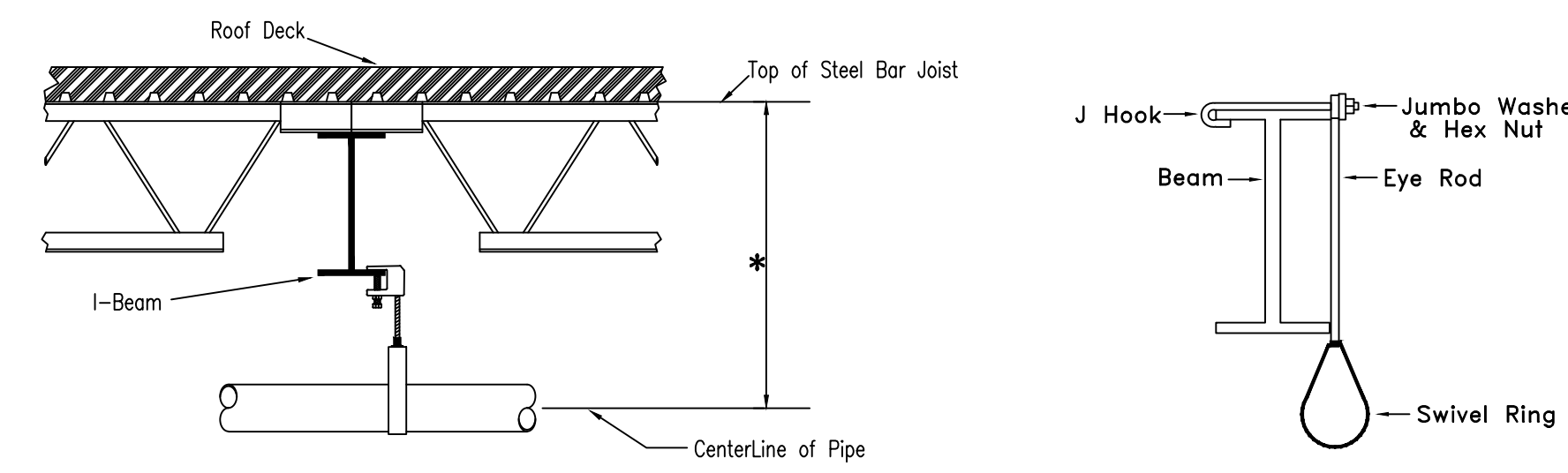
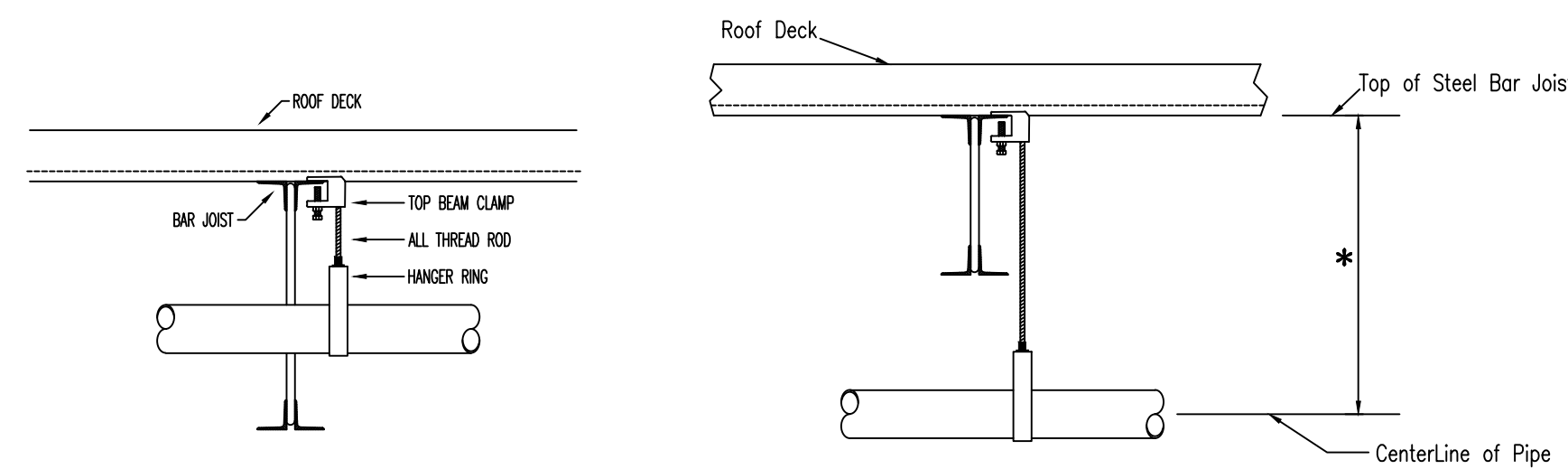
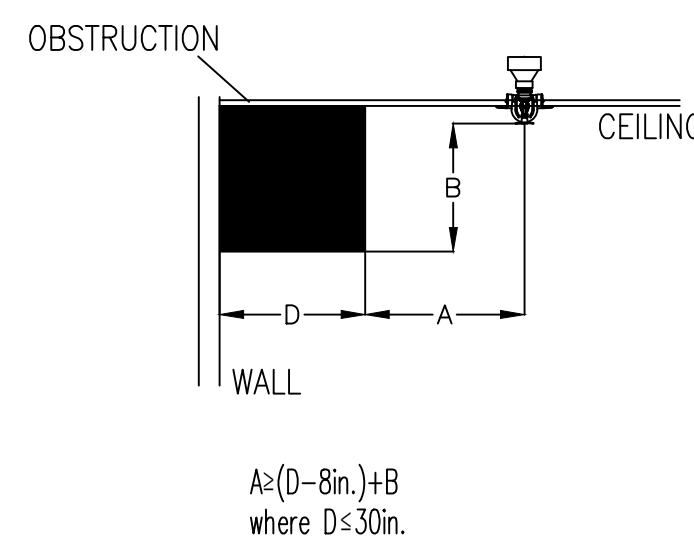
(A) DISTANCE FROM SPRINKLERS TO SIDE OF OBSTRUCTION	(B) MAXIMUM ALLOWABLE DISTANCE OF DEFLECTOR ABOVE BOTTOM OF OBSTRUCTION
Less than 1'	0"
1'-0" to less than 1'-6"	0"
1'-6" to less than 2'-0"	1 1/3"
2'-0" to less than 2'-6"	1 1/4"
2'-6" to less than 3'-0"	1 1/4"
3'-0" to less than 3'-6"	2-1/1-1/2"
3'-6" to less than 4'-0"	2-1/1-1/2"
4'-0" to less than 4'-6"	5"
4'-6" to less than 5'-0"	7"
5'-0" to less than 5'-6"	7"
5'-6" to less than 6'-0"	7"
6'-0" to less than 6'-6"	9"
6'-6" to less than 7'-0"	11 1/4"
7'-0" to less than 7'-6"	14"
7'-6" to less than 8'-0"	14"
8'-0" to less than 8'-6"	15"
8'-6" to less than 9'-0"	17"
9'-0" to less than 9'-6"	19"
9'-6" to less than 10'-0"	21 1/4"

NFPA 13: TABLE 8-6.5.1.2 (2007) STANDARD COVERAGE SPRINKLERS POSITIONING OF SPRINKLERS TO AVOID OBSTRUCTION OF DISCHARGE.

(A) DISTANCE FROM SPRINKLERS TO SIDE OF OBSTRUCTION	(B) MAXIMUM ALLOWABLE DISTANCE OF DEFLECTOR ABOVE BOTTOM OF OBSTRUCTION
Less than 1'	0"
1'-0" to less than 1'-6"	2 1/2"
1'-6" to less than 2'-0"	3 1/2"
2'-0" to less than 2'-6"	5 1/2"
2'-6" to less than 3'-0"	7 1/2"
3'-0" to less than 3'-6"	9 1/2"
3'-6" to less than 4'-0"	11-1/2"
4'-0" to less than 4'-6"	13"
4'-6" to less than 5'-0"	16 1/2"
5'-0" to less than 5'-6"	18"
5'-6" to less than 6'-0"	20"
6'-0" to less than 6'-6"	24"
6'-6" to less than 7'-0"	30"
7'-0" to less than 7'-6"	35"

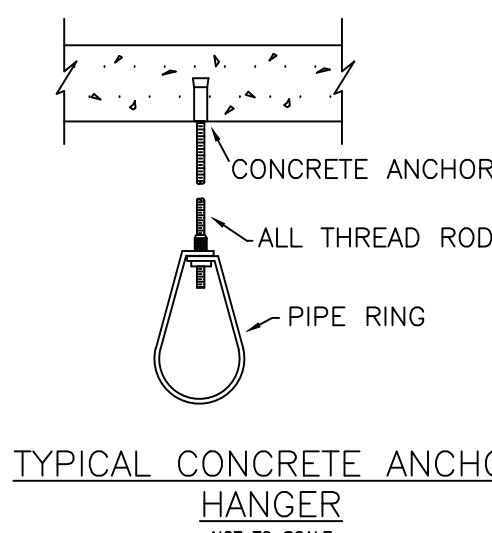


NFPA 13: FIGURE 8-6.5.1.2 (2007) OBSTRUCTIONS AGAINST WALLS

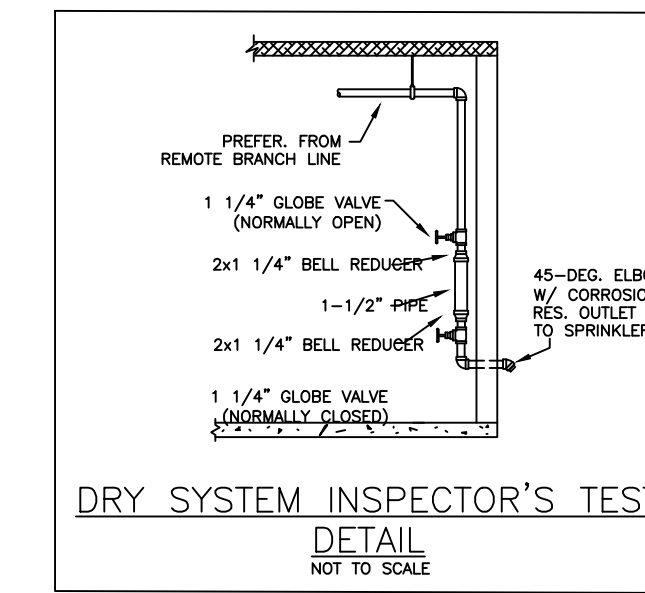
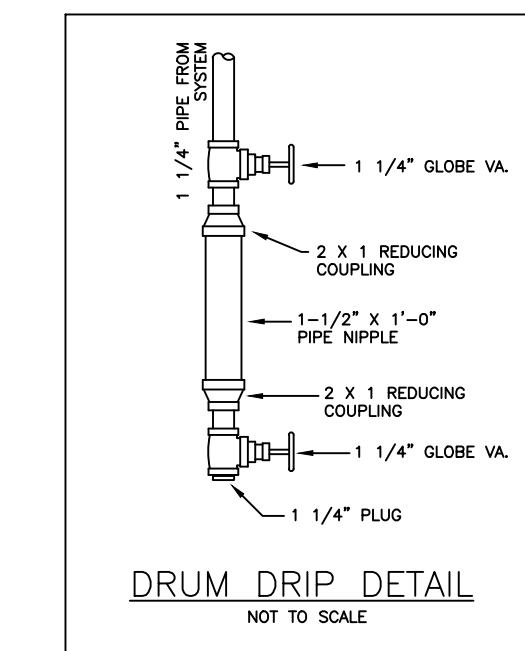
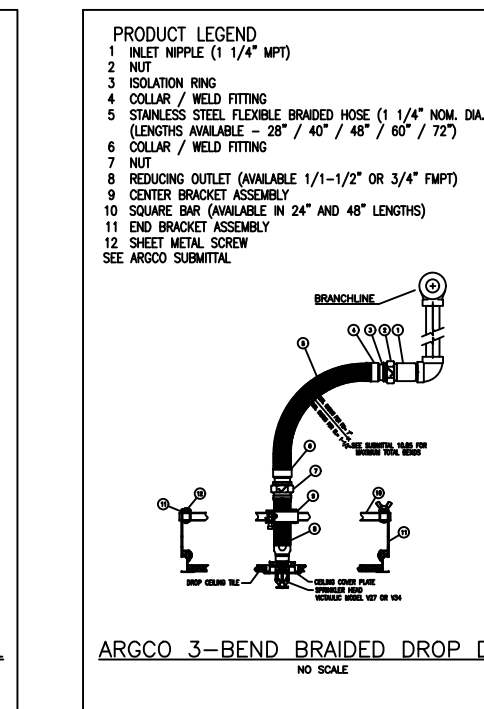
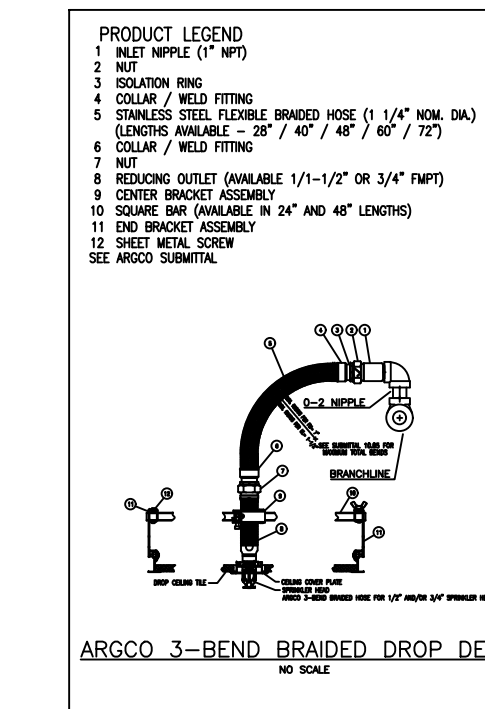
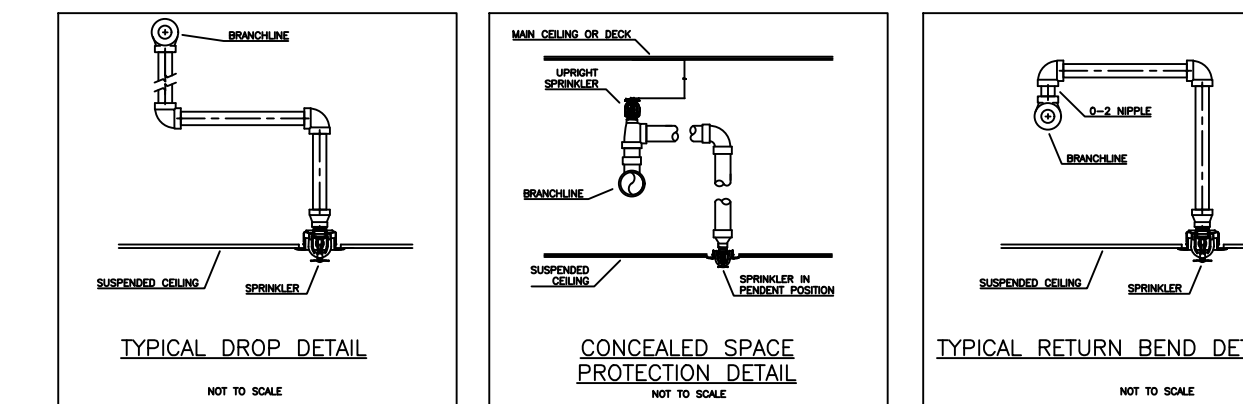


TYPICAL HANGER #10
NO SCALE

- 1 --- All Thread Rod
- 1 --- Ring
- 1 --- Top Beam Clamp



PIPE TYPE	1"	1 1/4"	1 1/2"	2"	2 1/2"	3"	4"	6"
BLACK STEEL SCH. 10	12'-0"	12'-0"	15'-0"	15'-0"	15'-0"	15'-0"	15'-0"	15'-0"
BLACK STEEL SCH. 40	12'-0"	12'-0"	15'-0"	15'-0"	15'-0"	15'-0"	15'-0"	15'-0"



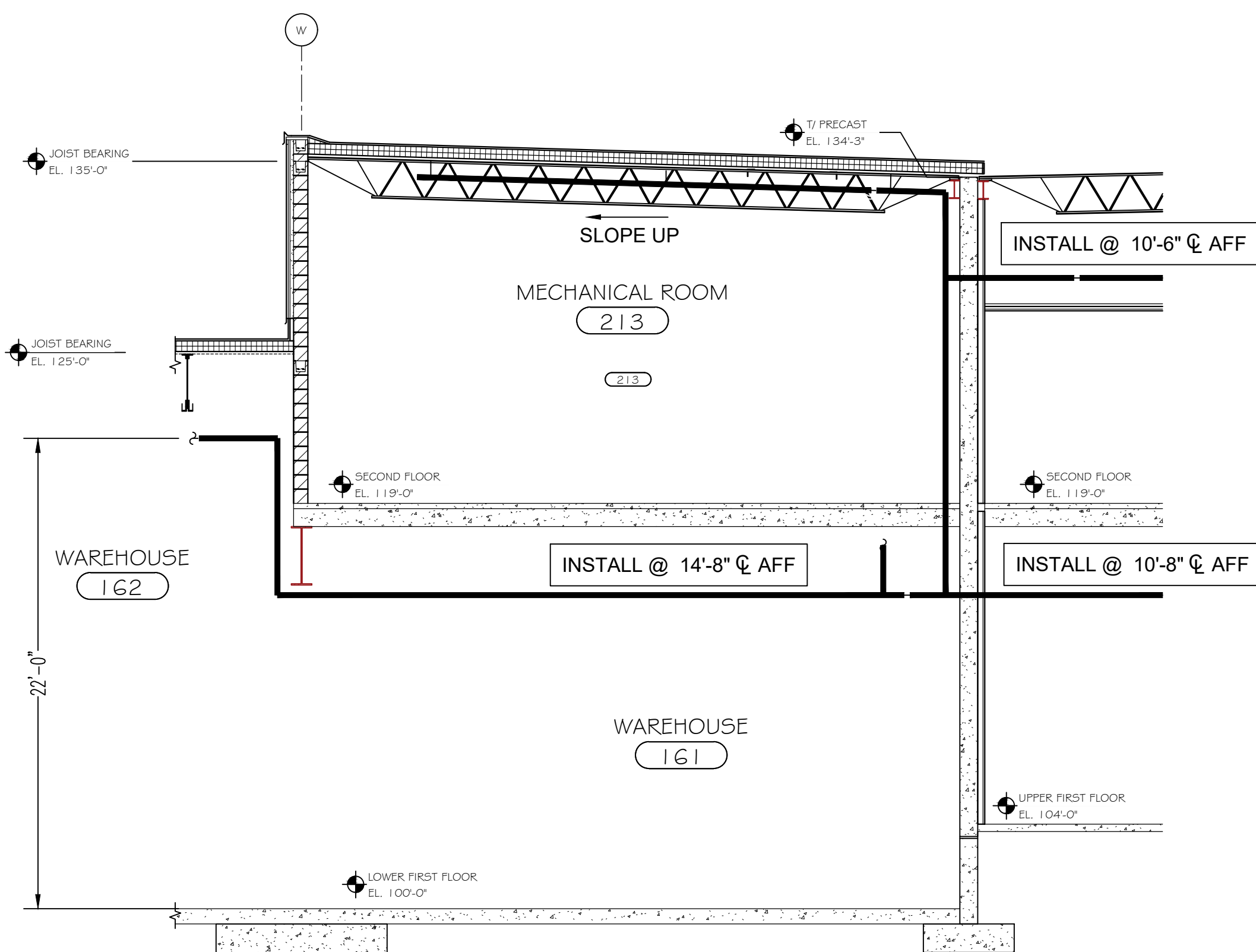
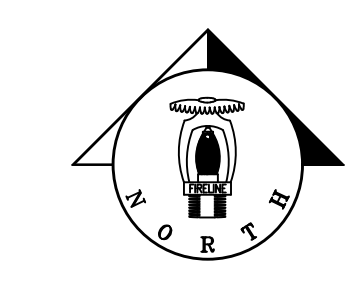
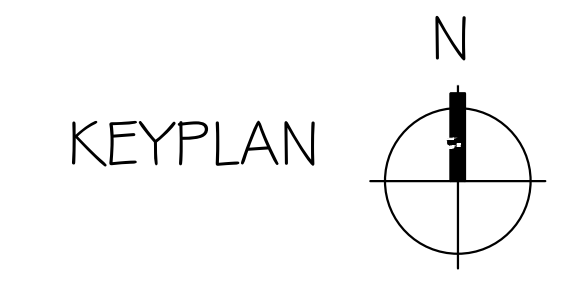
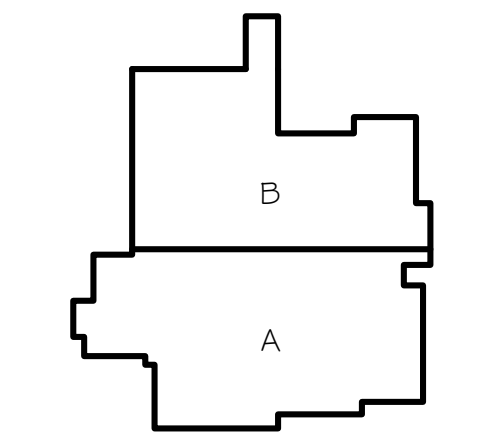
FLEXIBLE SPRINKLER DROP HOSE BRAIDED CONNECTIONS

- Save Time & Money
- No cutting, no welding, no threading
- Perfect for retrofit applications
- Easy to move for layout changes
- Most flexible hose in its class.
- UL: 4' minimum radius up to 3 bends
- FM: 10' minimum radius up to 4 bends

TECHNICAL DATA

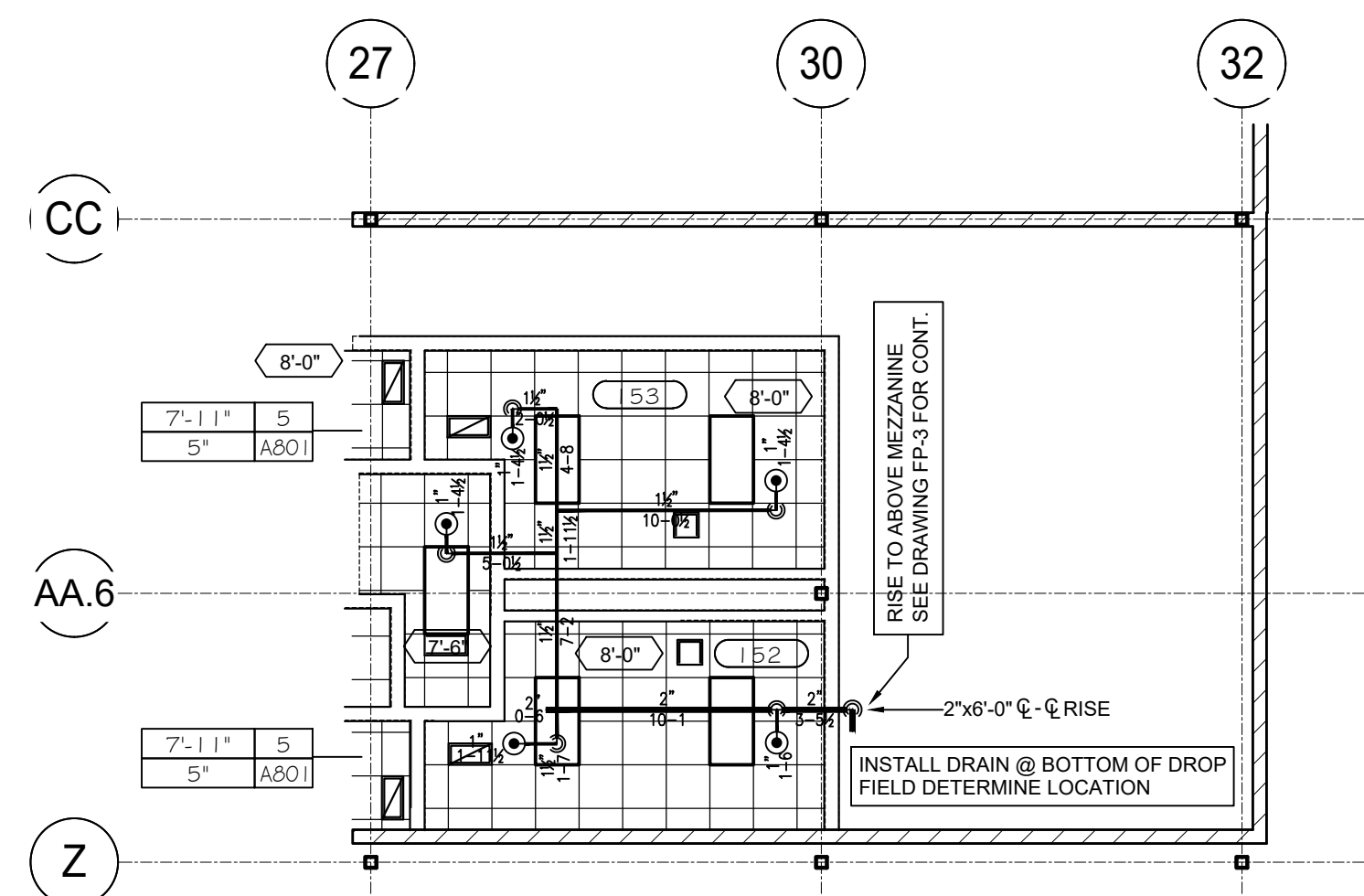
- Rated Working Pressure: 200 PSI (14 Bars)
- Maximum Ambient Temperature: 225°F
- Maximum Sprinkler K-factor for 1/2" outlet: 8.0 gal/min/(psi)^{1/2}
- Maximum Sprinkler K-factor for 3/4" outlet: 14.0 gal/min/(psi)^{1/2}
- Designed for use in wet and dry systems
- Flexibility Type: Unlimited (FM)
- Hose Diameter: O.D. 1-1/8" / Flow 7.8"

Model	Length	NPT	ITEM #	Equivalent Length of 1/2" Sch 40 Pipe			
				UL LISTED	FM APPROVED		
AB-SR-FLEX-10-550	26' (0.9 m)	1/2"	6530166A	25 ft	2	26.7 ft	1
AB-SR-FLEX-10-550	40' (0.9 m)	1/2"	6530166A	33 ft	3	42.6 ft	3
AB-SR-FLEX-12-550	44' (1.2 m)	1/2"	6530167A	39 ft	3	53.2 ft	3
AB-SR-FLEX-15-550	60' (1.5 m)	1/2"	6530168A	50 ft	3	67.8 ft	4
AB-SR-FLEX-18-550	72' (1.8 m)	1/2"	6530169A	58 ft	3	82.4 ft	4
AB-SR-FLEX-07-550	26' (0.6 m)	3/4"	6530175A	21 ft	2	22.1 ft	1
AB-SR-FLEX-10-575	40' (0.9 m)	3/4"	6530176A	36 ft	3	40.6 ft	3
AB-SR-FLEX-12-575	48' (1.2 m)	3/4"	6530177A	43 ft	3	53.0 ft	3
AB-SR-FLEX-15-575	60' (1.5 m)	3/4"	6530178A	52 ft	3	64.2 ft	4
AB-SR-FLEX-18-575	72' (1.8 m)	3/4"	6530179A	63 ft	3	75.6 ft	4



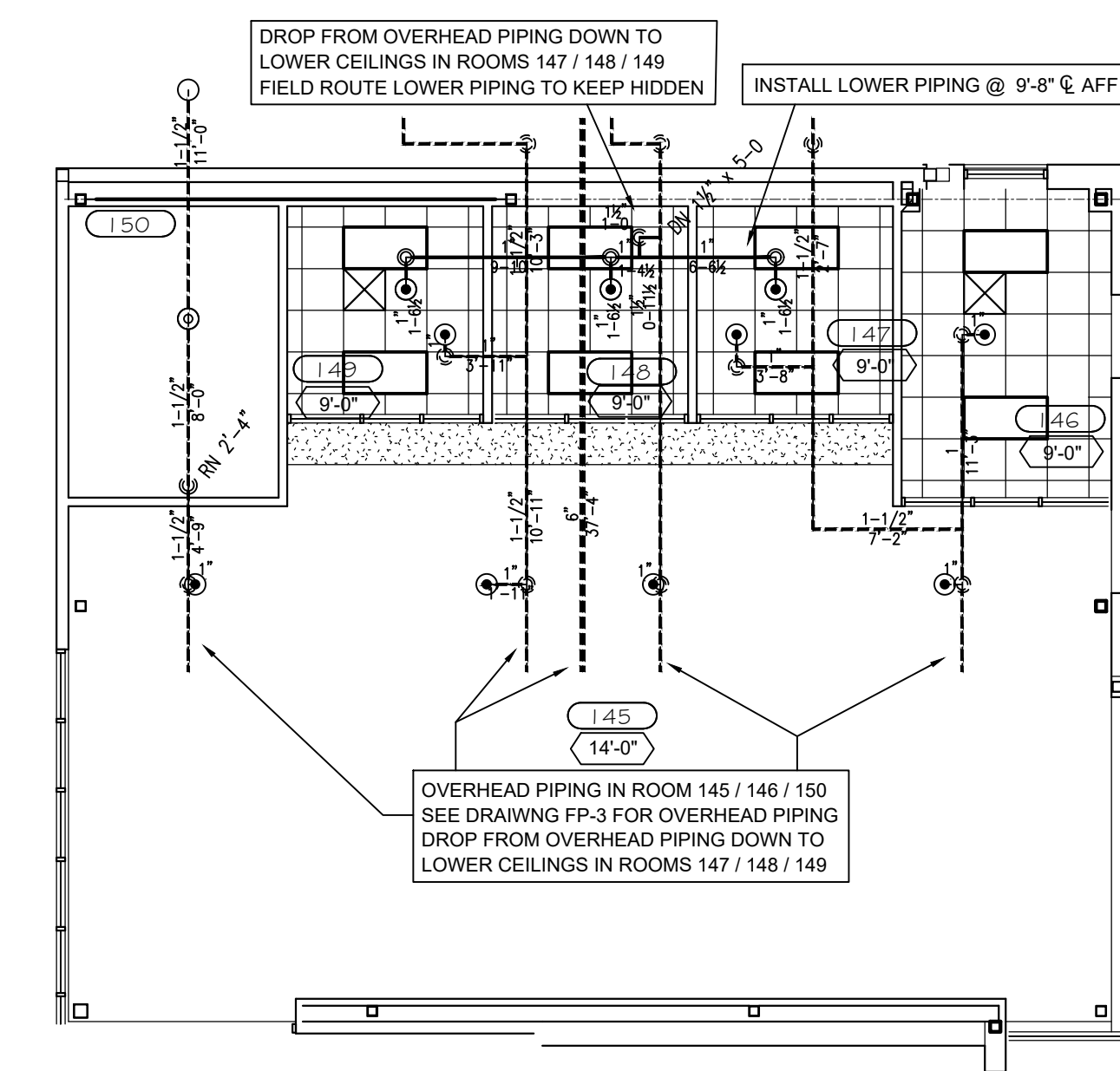
SUPPLY MAIN RISE DETAIL

SCALE: 3/16" = 1'-0"



LOWER OFFICES IN ROOM 151 AREA

SCALE: 1/8" = 1'-0"



LOWER OFFICES IN ROOM 145 AREA

SCALE: 1/8" = 1'-0"

VALVE TYPE	LOCATION	QTY.
6" ZURN 350A BACKFLOW PREVENTER w/ BUTTERFLY VALVES	RISER ASSEMBLY @ LEAD-IN	(1)
2-1/2" FIRE DEPT. VALVE - BACKFLOW TEST ASS'Y	RISER ASSEMBLY @ LEAD-IN	(3)
2" MAIN DRAIN VALVE	WET RISER	(1)
AGF 1011 TEST-N-DRAIN	WET RISER	(1)
2-1/2" VICTAULIC 768N DRY VALVE ASSEMBLY	RISER ASSEMBLY @ LEAD-IN	(1)
2-1/2" VICTAULIC W719 BUTTERFLY VALVE	RISER ASSEMBLY @ LEAD-IN	(1)
1" GLOBE VALVE - AUX. DRAIN	RISER ASSEMBLY HEADER	(1)
1" GLOBE VALVE - AUX. DRAIN	BELOW MEZZANINE IN ROOM 151	(1)
1" INSP. TEST CONN. VA.	LOADING DOCK	(1)

VALVE TAG CHART

NO.	REVISIONS	BY	DATE
1	UPDATES PER MIRON CONSTRUCTION REVIEW	RPK	2/7/19

SYM.	QTY.	SPRINKLERS	DESCRIPTION
1	8	TY551	5.6 OR SC CONCEALED WHITE PENDENT

NICET Level IV Automatic Sprinkler System Layout Certification #79357
Richard P. Kossler

FIRELINE
SPRINKLER CORPORATION

5036 Chatham Drive
Appleton, WI 54913
WI Sprinkler Contractor #231813
MI Sprinkler Contractor #713153
IL Sprinkler Contractor #SC0083

Office: (920) 757-9590
Fax: (920) 757-9591

IA Sprinkler Contractor #C036
OH Sprinkler Contractor #53891549
NE Sprinkler Contractor #30318

MO Sprinkler Contractor #F00726044

TITLE	PROPERT
DETAILS - SECTIONS PLAN	BROWN COUNTY STEM INNOVATION CENTER GREEN BAY, WISCONSIN

NO.	DATE	BY	SCALE	SHEET/DRAWING No.
1	12/27/18	RPK	AS NOTED	FP-5 OF 5