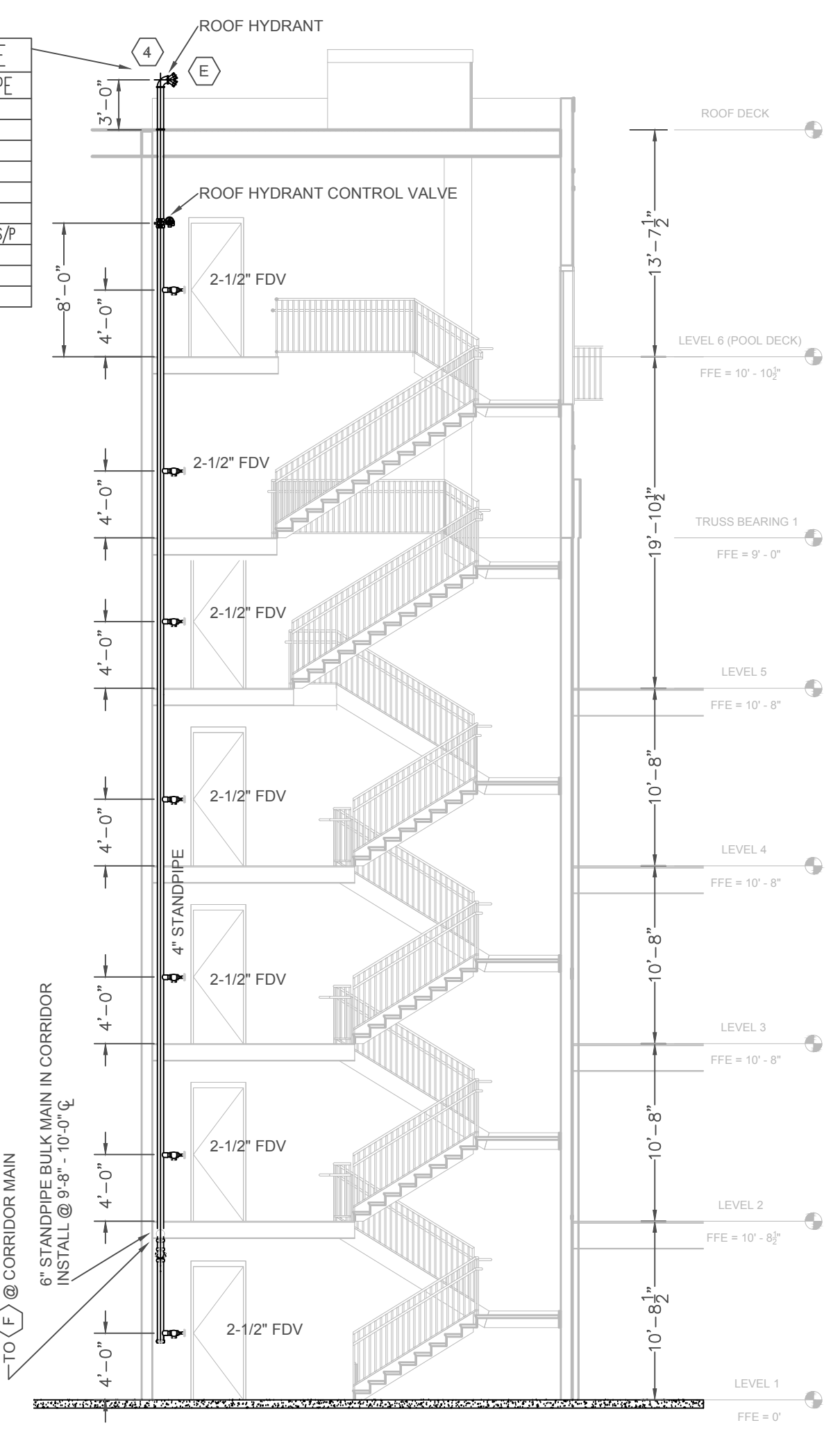
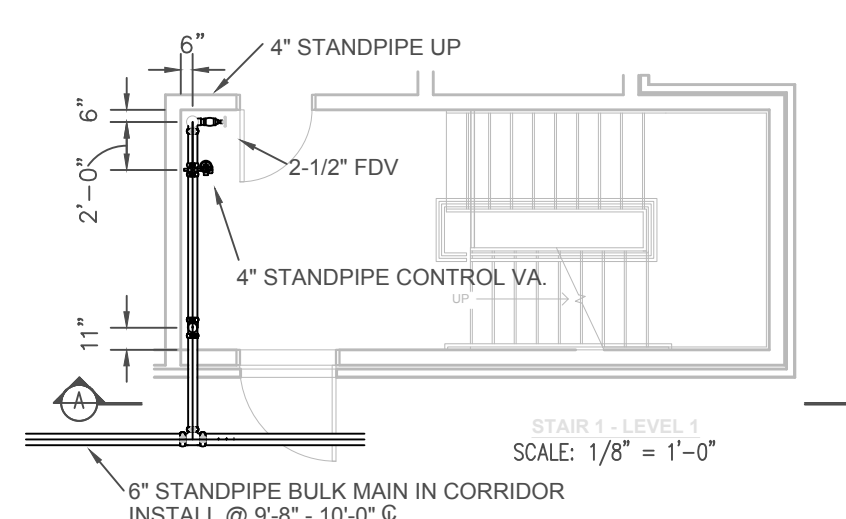


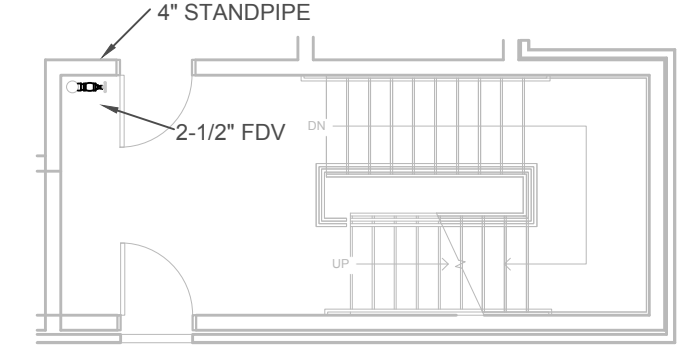
REMOTE AREA - 1000 BLDG. STANDPIPE	
HYDRAULIC DESIGN DATA - 3RD REMOTE STANDPIPE	
CLASSIFICATION	MANUAL STANDPIPE
TYPE	NET
WATER SUPPLY	STATIC: 175 PS
	RESIDUAL: 150 PS
	GPM FLOW: 1,500 GPM
FIRE PUMP	N/A
DENSITY	500-GPM @ REMOTE + 250-GPM @ 2ND & 3RD S/P
SYSTEM DEMAND	1071.6 GPM @ 149.25 PS
HOSE ALLOWANCE	N/A
PSI CUSHION	13.89 PS



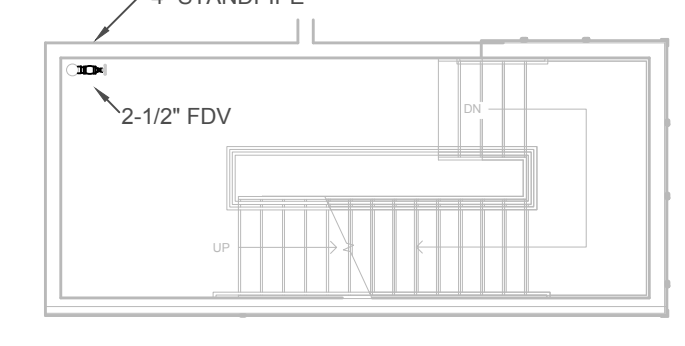
STAIR #1 SECTION - "A"
SCALE: 1/8" = 1'-0"
NOTE: ALL PIPING TO BE SCHEDULE 10 BLACK STEEL



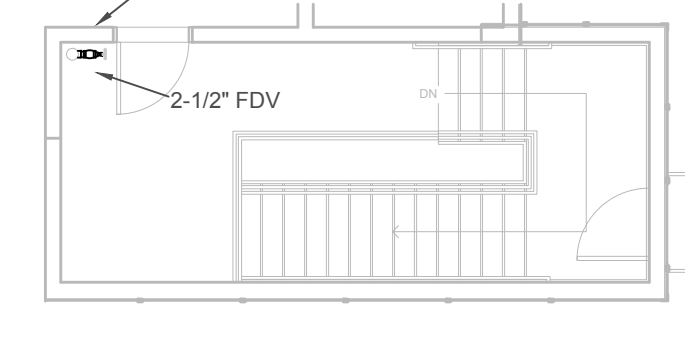
STAIR #1 - LEVEL 5
SCALE: 1/8" = 1'-0"



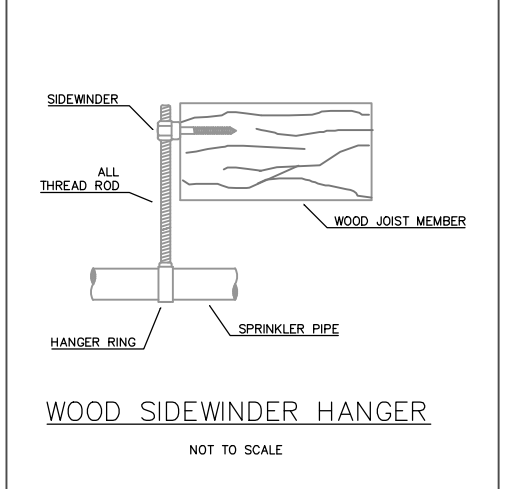
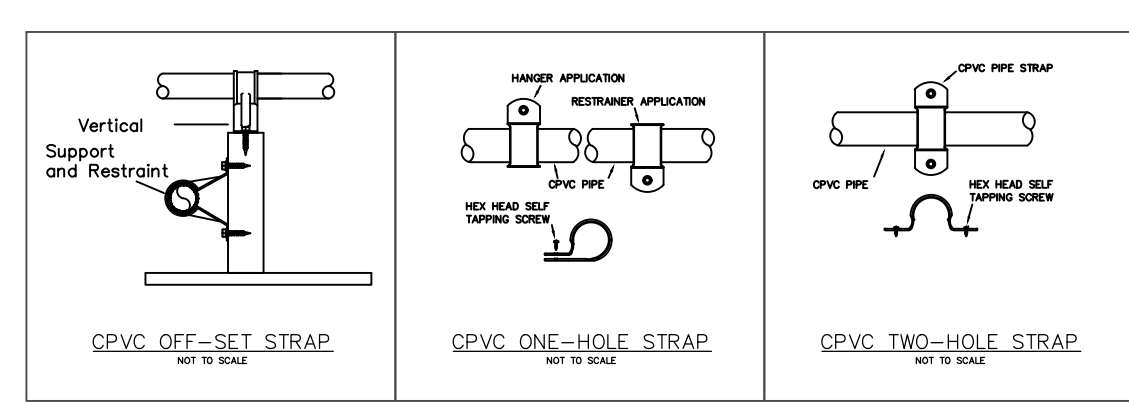
STAIR #1 - LEVELS 5 & 6
SCALE: 1/8" = 1'-0"



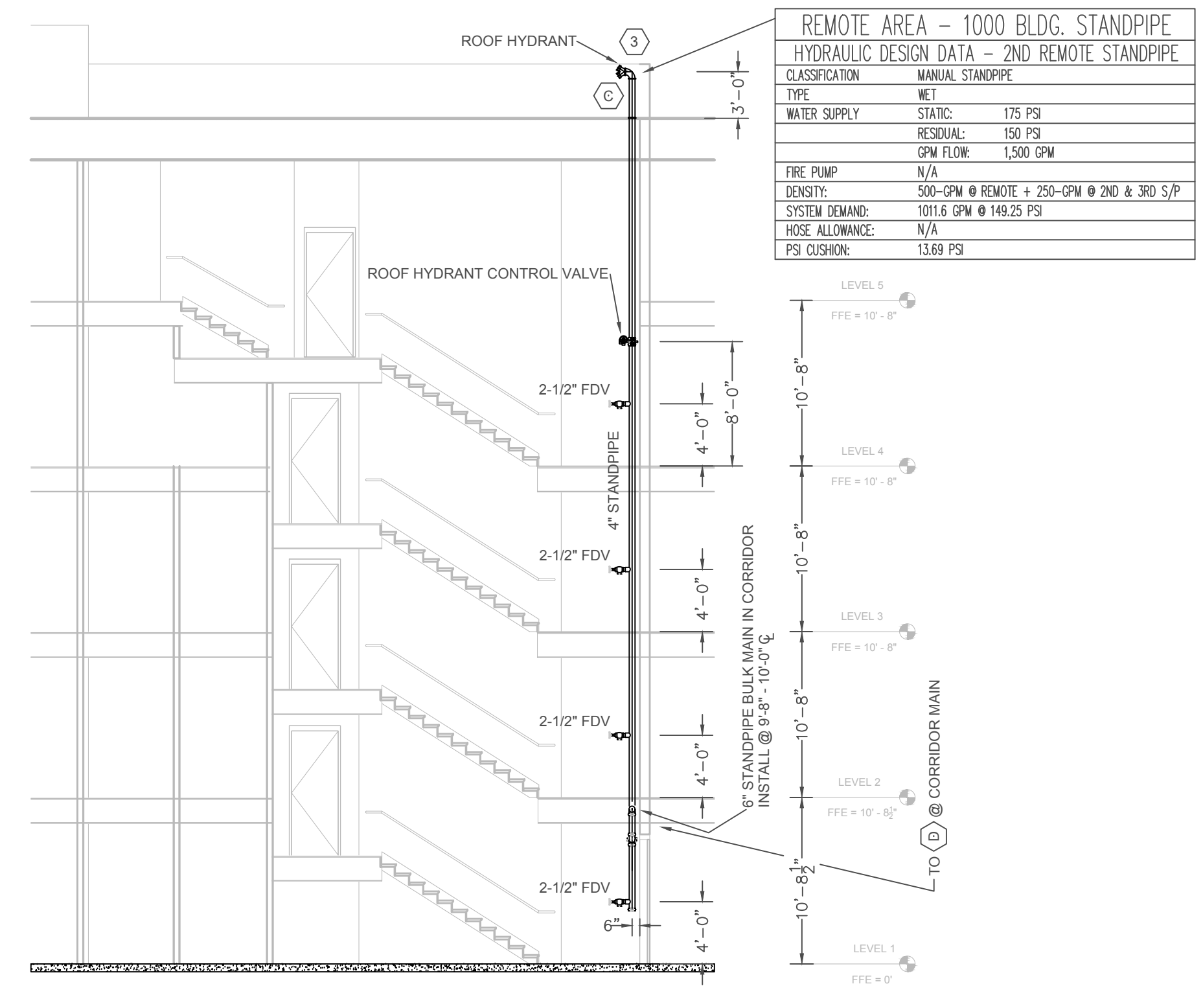
STAIR #1 - LEVEL TROSS BEARING (between 5th & 6th floor)
SCALE: 1/8" = 1'-0"



STAIR #1 - LEVEL 1
SCALE: 1/8" = 1'-0"



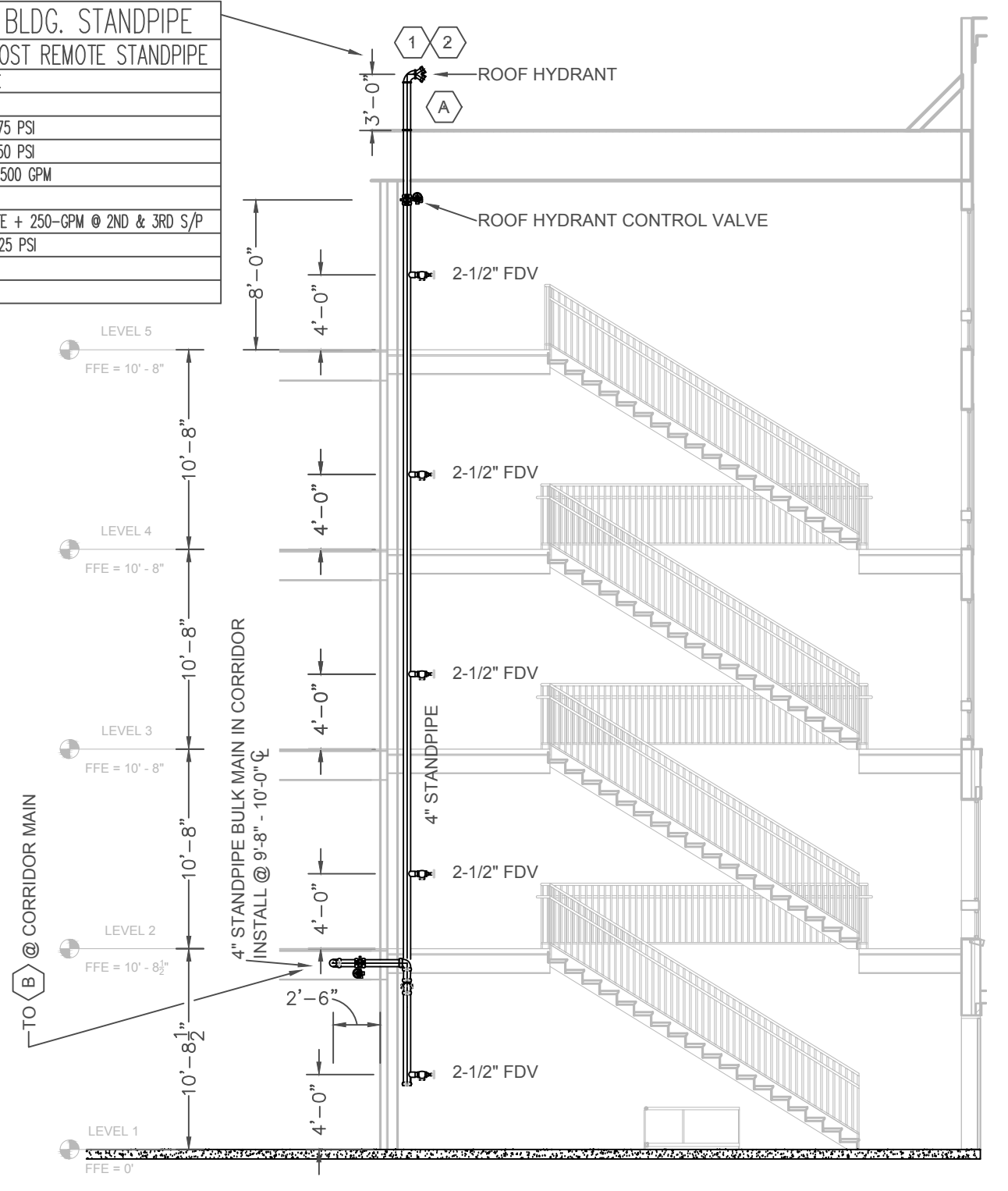
HANGER SPACING CHART			
PIPE TYPE	1"	1 1/4"	1 1/2"
BLACK STEEL SCH. 10	12'-0"	12'-0"	12'-0"
BLACK STEEL SCH. 40	12'-0"	12'-0"	12'-0"
PVC	6'-0"	6'-0"	6'-0"



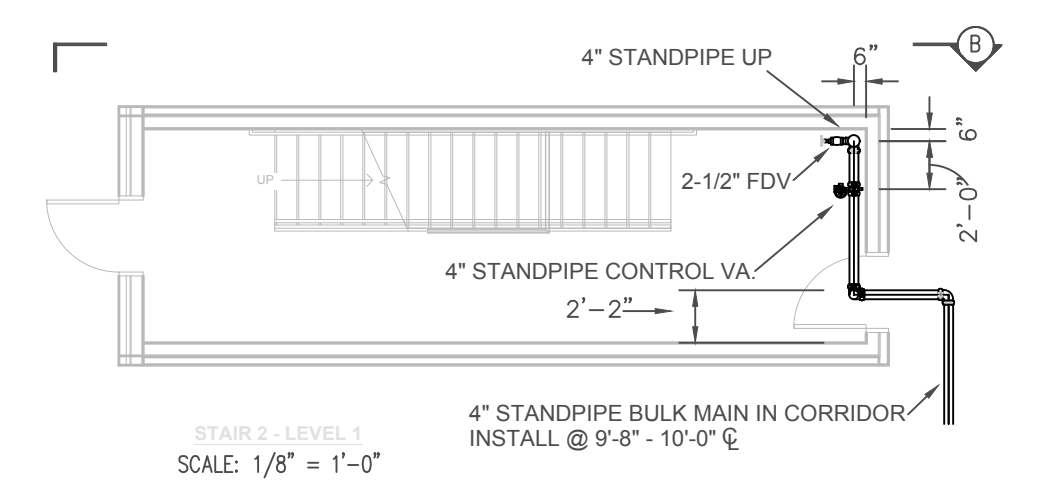
STAIR #6 STAIR CORE @ PARKING DECK SECTION - "C"
SCALE: 1/8" = 1'-0"
NOTE: ALL PIPING TO BE SCHEDULE 10 BLACK STEEL

REMOTE AREA - 1000 BLDG. STANDPIPE	
HYDRAULIC DESIGN DATA - 2ND REMOTE STANDPIPE	
CLASSIFICATION	MANUAL STANDPIPE
TYPE	NET
WATER SUPPLY	STATIC: 175 PS
	RESIDUAL: 150 PS
	GPM FLOW: 1,500 GPM
FIRE PUMP	N/A
DENSITY	500-GPM @ REMOTE + 250-GPM @ 2ND & 3RD S/P
SYSTEM DEMAND	1071.6 GPM @ 149.25 PS
HOSE ALLOWANCE	N/A
PSI CUSHION	13.89 PS

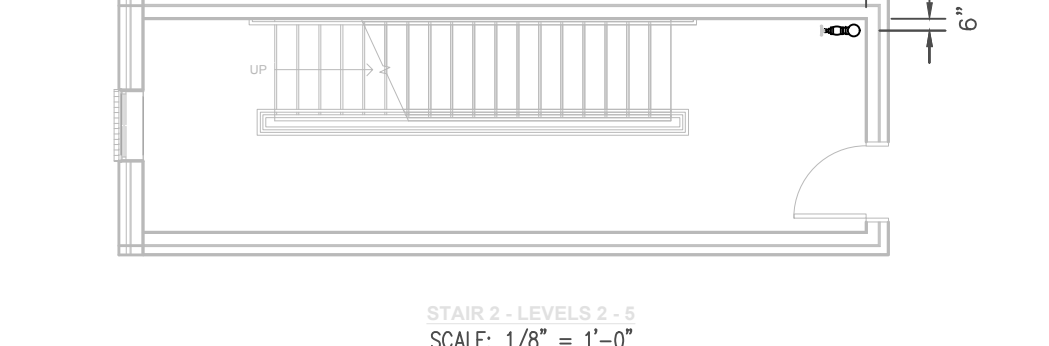
REMOTE AREA - 1000 BLDG. STANDPIPE	
HYDRAULIC DESIGN DATA - MOST REMOTE STANDPIPE	
CLASSIFICATION	MANUAL STANDPIPE
TYPE	NET
WATER SUPPLY	STATIC: 175 PS
	RESIDUAL: 150 PS
	GPM FLOW: 1,500 GPM
FIRE PUMP	N/A
DENSITY	500-GPM @ REMOTE + 250-GPM @ 2ND & 3RD S/P
SYSTEM DEMAND	1071.6 GPM @ 149.25 PS
HOSE ALLOWANCE	N/A
PSI CUSHION	13.89 PS



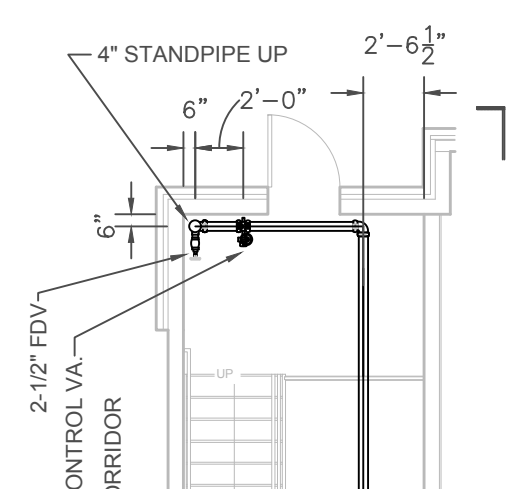
STAIR #2 SECTION - "B"
SCALE: 1/8" = 1'-0"
NOTE: ALL PIPING TO BE SCHEDULE 10 BLACK STEEL



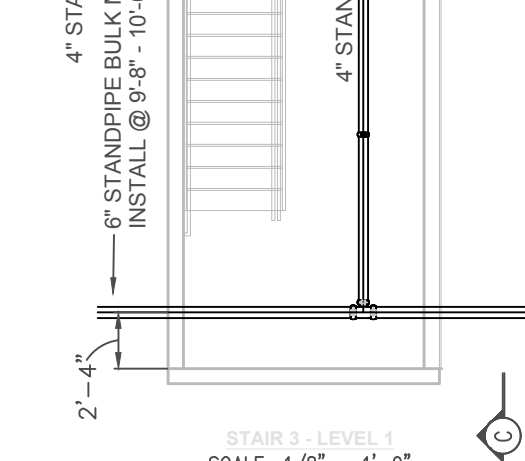
STAIR #2 - LEVEL 1
SCALE: 1/8" = 1'-0"



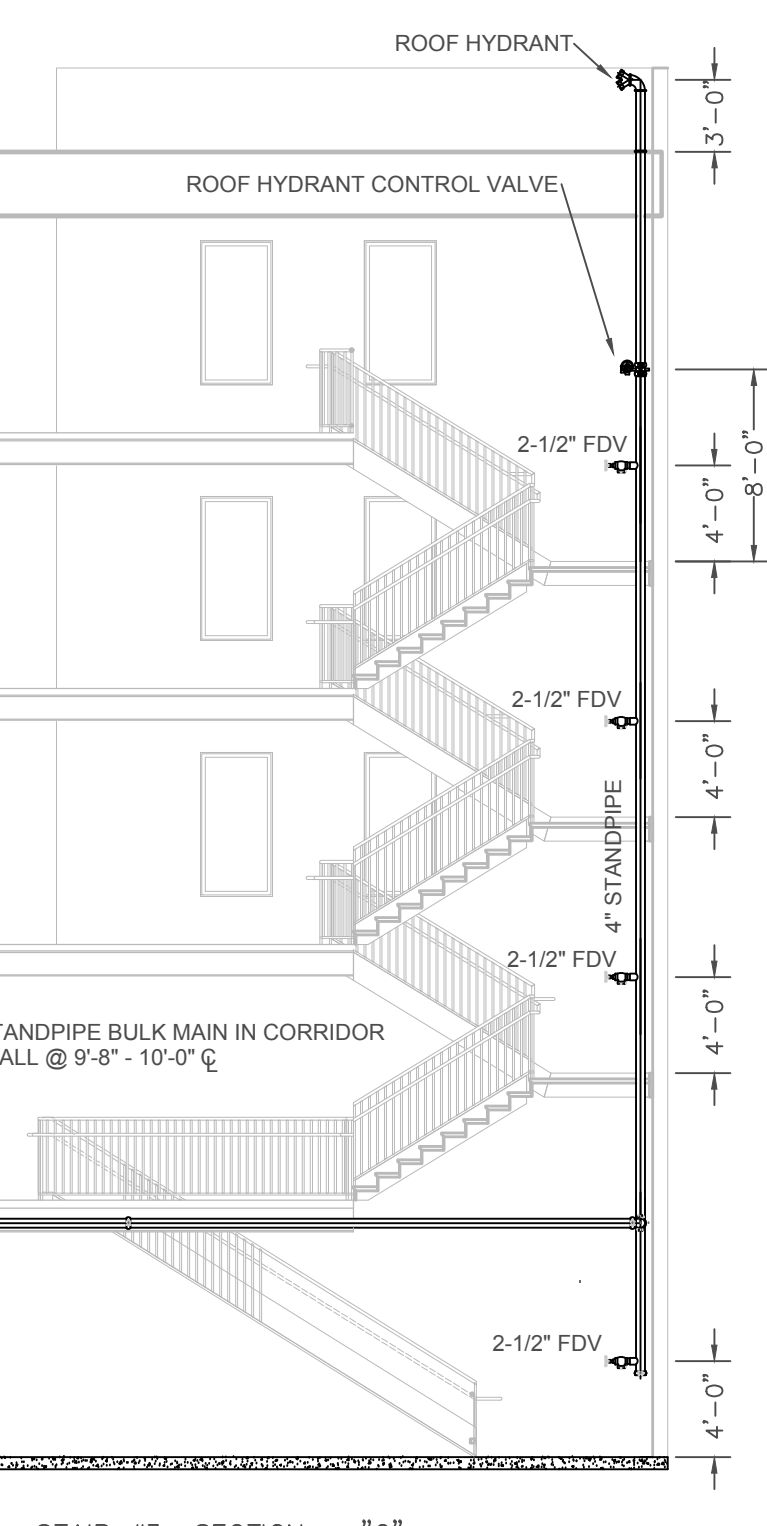
STAIR #2 - LEVEL 1
SCALE: 1/8" = 1'-0"



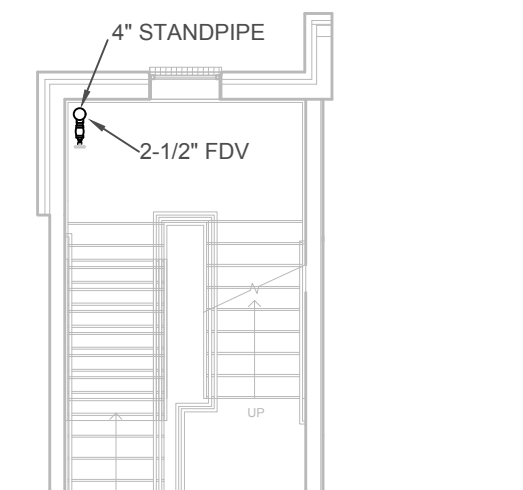
STAIR #3 - LEVEL 5
SCALE: 1/8" = 1'-0"



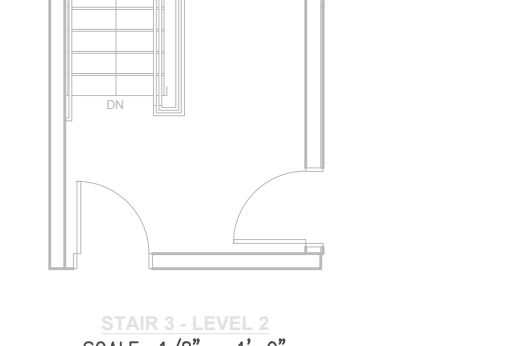
STAIR #3 - LEVEL 5
SCALE: 1/8" = 1'-0"



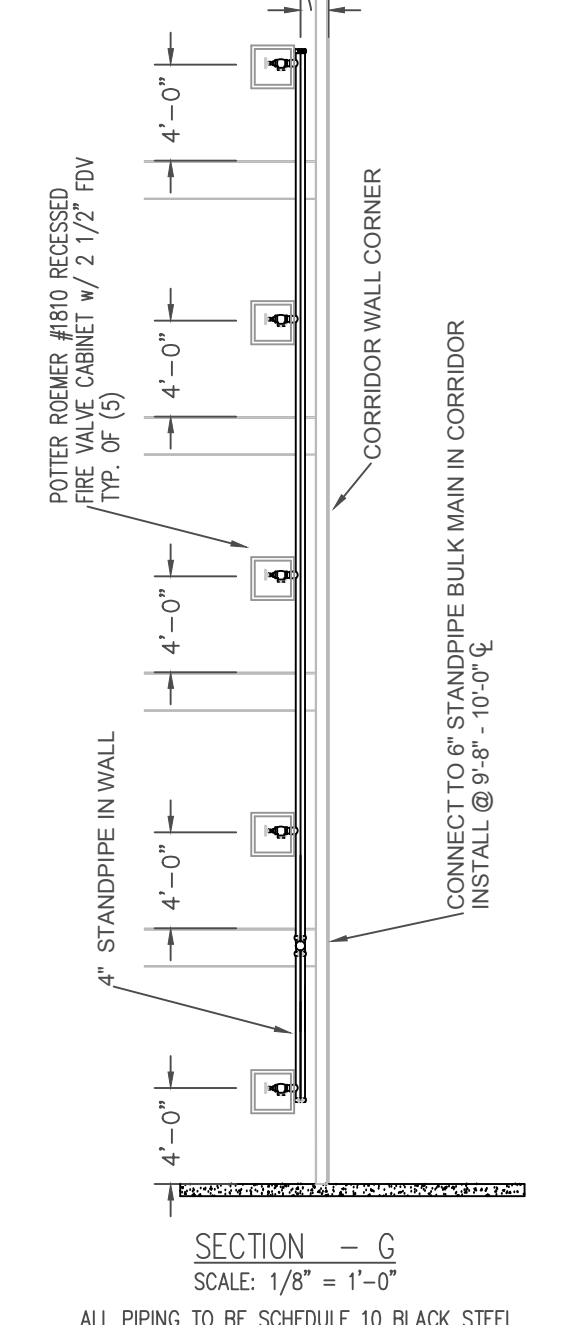
STAIR #3 SECTION - "C"
SCALE: 1/8" = 1'-0"
NOTE: ALL PIPING TO BE SCHEDULE 10 BLACK STEEL



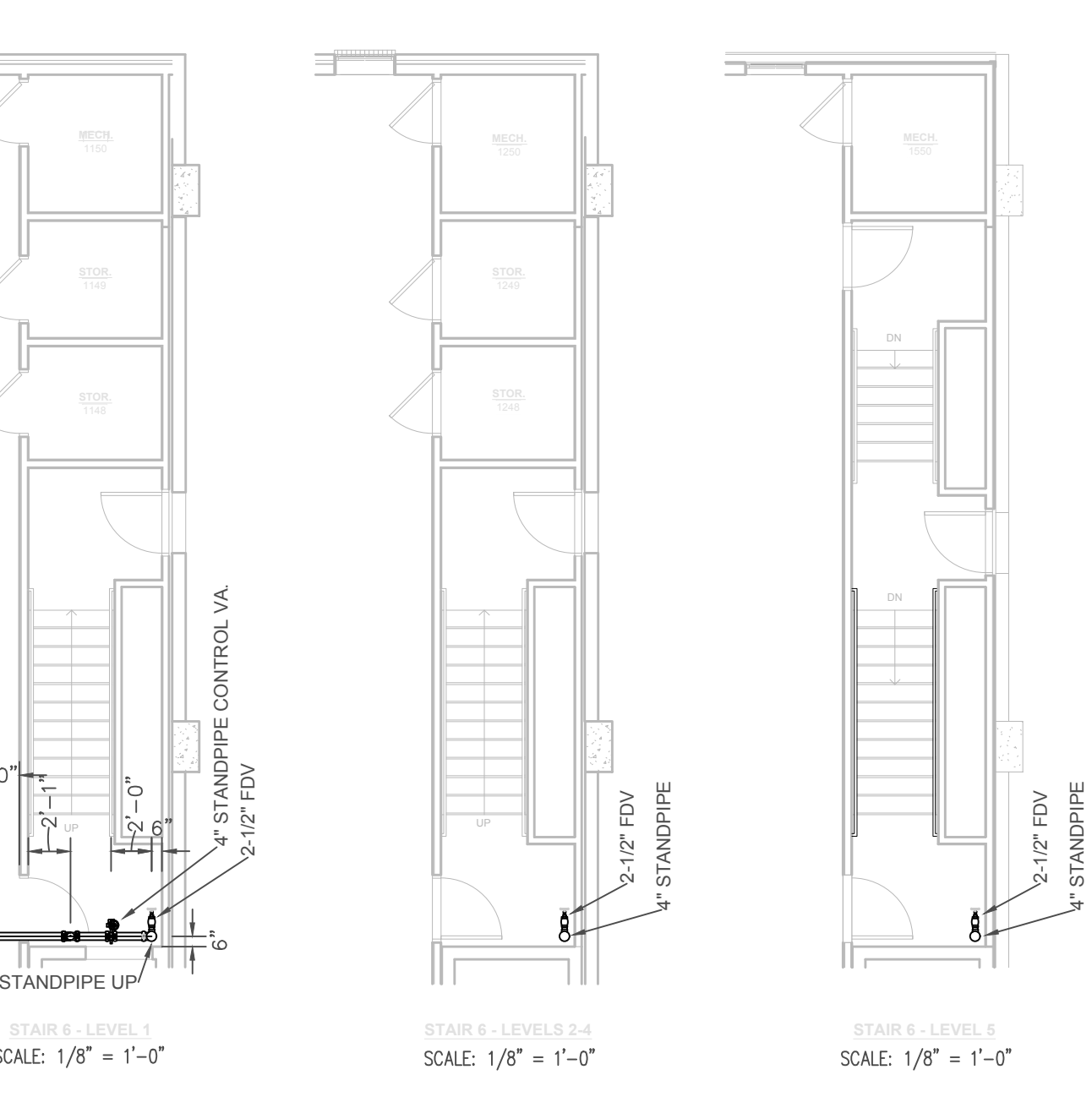
STAIR #3 - LEVEL 1
SCALE: 1/8" = 1'-0"



STAIR #3 - LEVEL 1
SCALE: 1/8" = 1'-0"



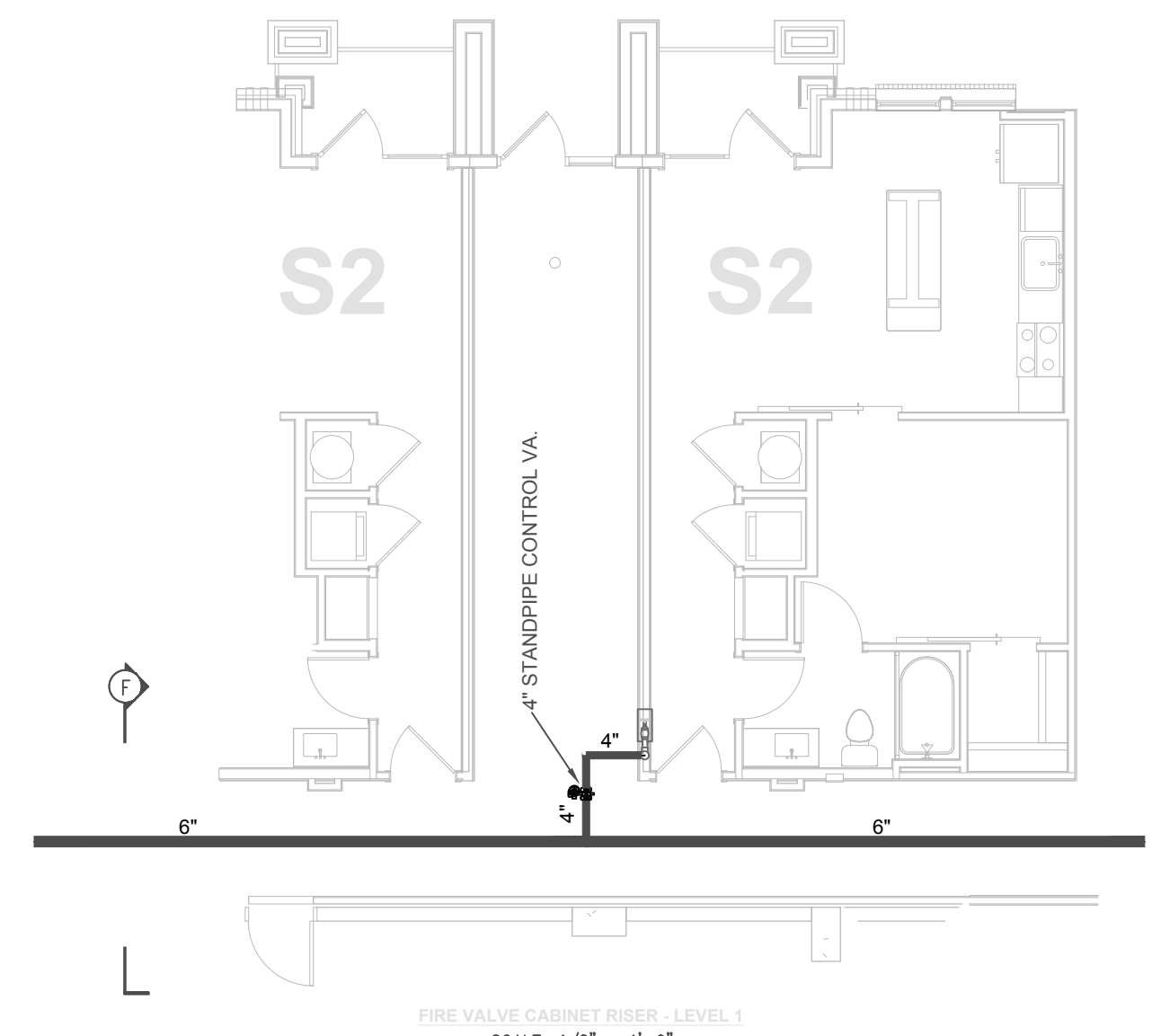
SECTION - "G"
SCALE: 1/8" = 1'-0"
ALL PIPING TO BE SCHEDULE 10 BLACK STEEL



STAIR #6 - LEVEL 5
SCALE: 1/8" = 1'-0"

STAIR #6 - LEVEL 4
SCALE: 1/8" = 1'-0"

STAIR #6 - LEVEL 3
SCALE: 1/8" = 1'-0"



FIRE VALVE CABINET AREA - LEVEL 1
SCALE: 1/8" = 1'-0"

NICET Level IV Automatic Sprinkler
System Layout Certification #79357
Richard P. Kossler

Riverside @ Bishops Gate
Jacksonville, Florida

BUILDING 2000 - STANDPIPE MAIN
AND DETAILS

SFF
Sawyer Fire Protection
2220 COUNTY RD. 210 WEST
SUITE NO. 108-139
JACKSONVILLE, FL 32259
TEL: 904-559-1027

NO.	DATE	BY	ISSUE FOR	DESCRIPTION
1	8/27/16	ISSUE FOR PERMIT		

SYMBOL	QUANTITY	DESCRIPTION	WEIGHT	SYSTEM
		TOTAL SPINNERS		WET FIRE SYSTEM
		TOTAL VALVES		WET FIRE SYSTEM
		TOTAL ACCESSIBLE		WET FIRE SYSTEM

SCALE: AS NOTED
JOB NUMBER: 690
DATE: 8/14/2018