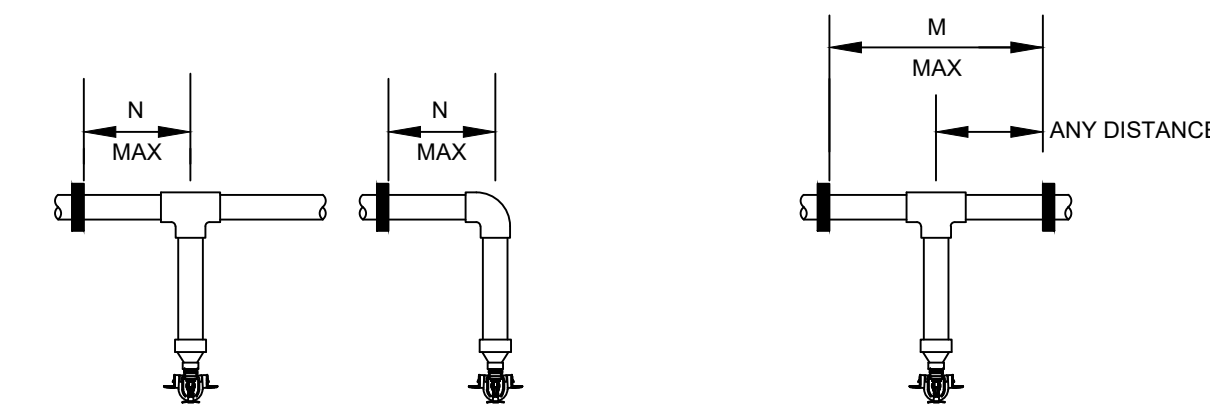
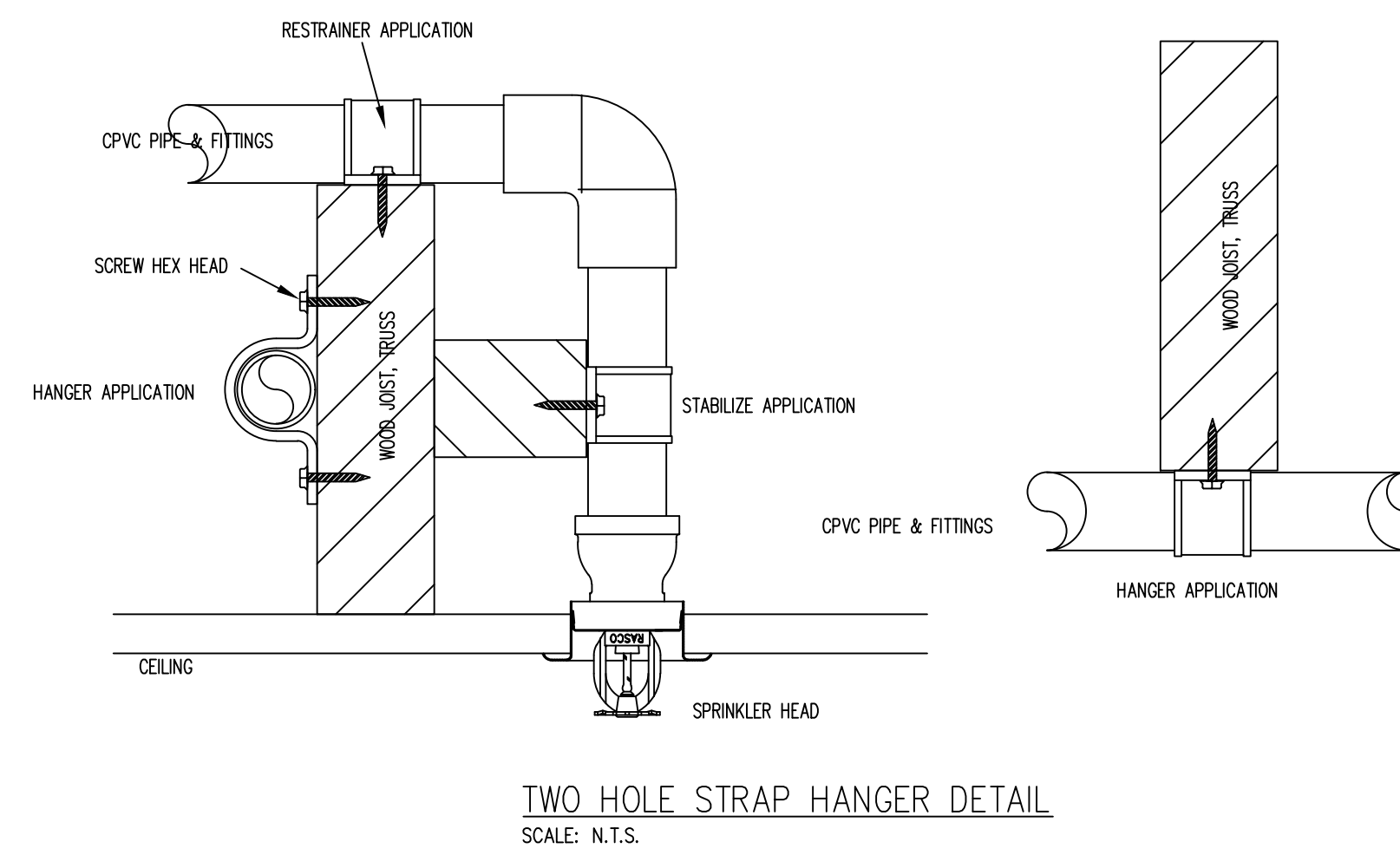
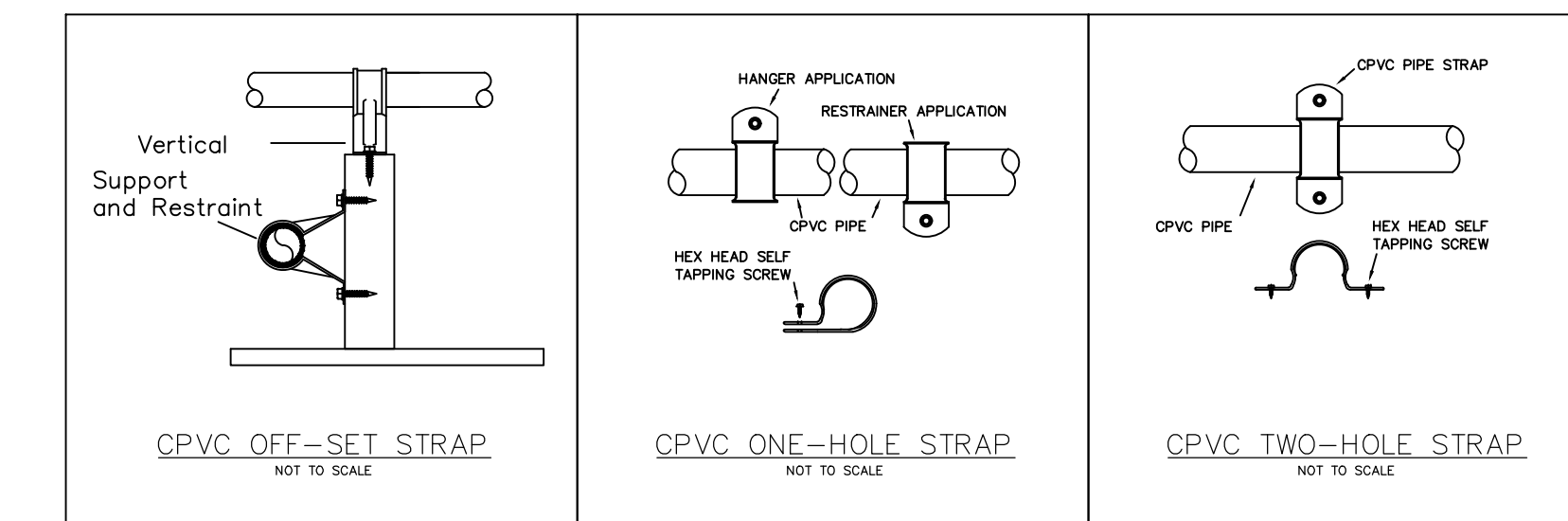


INTERSTITIAL SPACE NOTE:
ENTIRE INTERSTITIAL CAVITY TO BE FILLED
W/ NON-COMBUSTIBLE INSULATION BY G.C.
PER NFPA #13, SECTION 8.15.1.2.7
SPINKLER PROTECTION IS NOT REQUIRED



HANGER SPACING CHART

PIPE TYPE	1"	1 1/4"	1 1/2"	2"	2 1/2"	3"	4"	6"
BLACK STEEL SCH. 10	12'-0"	12'-0"	15'-0"	15'-0"	15'-0"	15'-0"	15'-0"	15'-0"
BLACK STEEL SCH. 40	12'-0"	12'-0"	15'-0"	15'-0"	15'-0"	15'-0"	15'-0"	15'-0"
CPVC	6'-0"	6'-6"	7'-0"	8'-0"	9'-0"	10'-0"		



SPRINKLER HEAD SPACING CHART

AREAS	SPRINKLER HEAD	MAX. SPACING	MAX. DISTANCE OFF WALL
RESIDENTIAL - CORRIDOR	TYCO EC-8.0K RECESSED PENDENT	18' x 18' = 324 SQ. FT.	0'-0"
RESIDENTIAL - MECHANICAL / ELECTRIC (ALL FLOORS)	TYCO SERIES LFI 5.8K RESIDENTIAL PENDENT 177P	18' x 18' = 324 SQ. FT.	0'-0"
RESIDENTIAL - UNITS LEVELS 1 - 5 (ROOMS)	TYCO SERIES LFI 5.8K RESIDENTIAL PENDENT 175P	18' x 18' = 324 SQ. FT.	0'-0"
RESIDENTIAL - UNITS LEVELS 1 - 5 (EXTERIOR BALCONY)	GLOBE GL - 1" NPT 5.8K RESIDENTIAL DRY SIDEWALL	18' x 18' = 324 SQ. FT.	0'-0"

