

INTERSTITIAL SPACE NOTE:

ENTIRE INTERSTITIAL CAVITY TO BE FILLED
W/ NON-COMBUSTIBLE INSULATION BY G.C.
PER NFPA #13, SECTION 8.15.1.2.7
SPINKLER PROTECTION IS NOT REQUIRED

PIPE TYPE	1"	1 1/4"	1 1/2"	2"	2 1/2"	3"	4"	6"
BLACK STEEL SCH. 10	12'-0"	12'-0"	15'-0"	15'-0"	15'-0"	15'-0"	15'-0"	15'-0"
BLACK STEEL SCH. 40	12'-0"	12'-0"	15'-0"	15'-0"	15'-0"	15'-0"	15'-0"	15'-0"
CPVC	6'-0"	6'-6"	7'-0"	8'-0"	9'-0"	10'-0"		

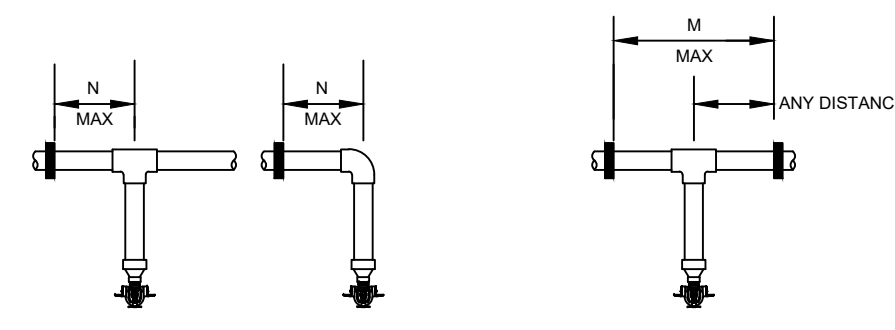
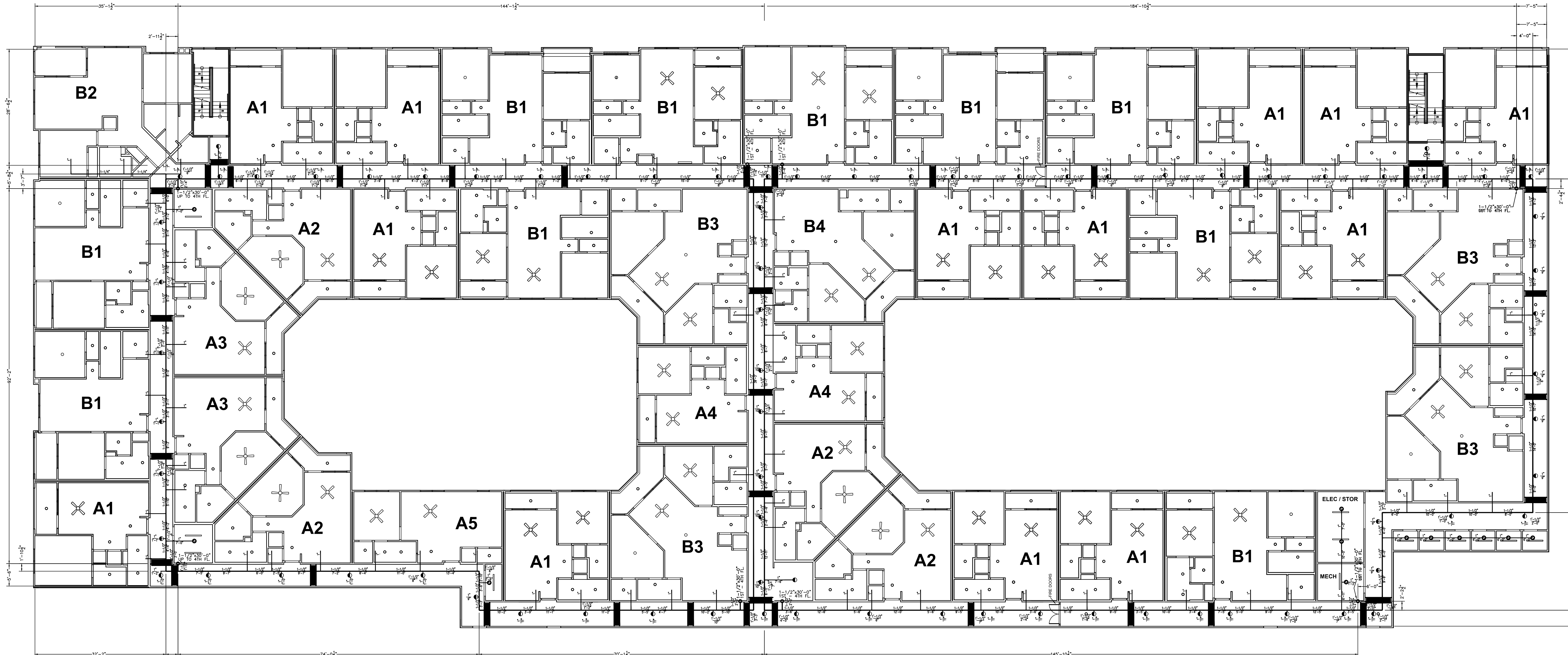


TABLE 18 ONE POINT RESTRAINT		TABLE 19 TWO POINT RESTRAINT	
NOMINAL PIPE SIZE	LESS THAN 100 PSI	NOMINAL PIPE SIZE	LESS THAN 100 PSI
3/8"	8'-0"	3/8"	8'-0"
1/2"	8'-0"	1/2"	8'-0"
3/4"	8'-0"	3/4"	8'-0"
1"	8'-0"	1"	8'-0"
1 1/4"	8'-0"	1 1/4"	8'-0"
1 1/2"	8'-0"	1 1/2"	8'-0"

BRANCH LINES SHALL BE BRACED AT A DISTANCE FROM A TEE OR ELBOW TO PREVENT LIFT OF SPRINKLERS AS SHOWN IN TABLES "R" OR "S".

SPRINKLER HEAD SPACING CHART

AREAS	SPRINKLER HEAD	MAX. SPACING	MAX. DISTANCE OFF WALL
RESIDENTIAL - CORRIDOR	TYCO EGS 8 BK RECESSED PENDENT	16' x 16' = 256 SQ. FT.	8'-0"
RESIDENTIAL - MECHANICAL / ELECTRIC (ALL FLOORS)	TYCO FFB 8 BK RECESSED PENDENT	15' x 15' = 225 SQ. FT.	8'-0"
RESIDENTIAL - UNITS LEVELS 1 - 5 (ROOMS)	TYCO SERIES LFI 8 BK RESIDENTIAL PENDENT	18' x 18' = 324 SQ. FT.	8'-0"
RESIDENTIAL - UNITS LEVELS 1 - 5 (EXTERIOR BALCONY)	GEORGE GL - 1" NPT 5 BK RESIDENTIAL DRY SIDEWALL	18' x 18' = 324 SQ. FT.	8'-0"



3RD FLOOR - 41,400 SQ.FT.

SCALE: 3/32" = 1'-0"
INSTALL PIPING @ 11'-0" @ AFF

NICET Level IV Automatic Sprinkler
System Layout Certification #79357
Richard P. Kossler

1444 HOME STREET
Jacksonville, Florida

LEVEL 3 SPRINKLER

SP
SOUTHWEST FIRE PROTECTORS
2220 COUNTY RD. 210 WEST
SUITE NO. 108-139
JACKSONVILLE, FL 32216
PH: 904-454-5237

NO.	DATE	DESCRIPTION
1	11/27/18	GENERAL WORKS

NO.	DATE	DESCRIPTION	BY	APP. BY
1	11/27/18	DESIGN		
2	11/27/18	REVISION		
3	11/27/18	REVISION		
4	11/27/18	REVISION		
5	11/27/18	REVISION		
6	11/27/18	REVISION		
7	11/27/18	REVISION		
8	11/27/18	REVISION		
9	11/27/18	REVISION		
10	11/27/18	REVISION		

SCALE: 3/32" = 1'-0"
JOB NUMBER: 698
DATE: 10/30/2018