

HANGER SPACING CHART

PIPE TYPE	1"	1 1/4"	1 1/2"	2"	2 1/2"	3"	4"	6"
BLACK STEEL SCH. 40	12'-0"	12'-0"	12'-0"	12'-0"	12'-0"	12'-0"	12'-0"	12'-0"
BLACK STEEL SCH. 40	12'-0"	12'-0"	12'-0"	12'-0"	12'-0"	12'-0"	12'-0"	12'-0"
CPVC	12'-0"	12'-0"	12'-0"	12'-0"	12'-0"	12'-0"	12'-0"	12'-0"

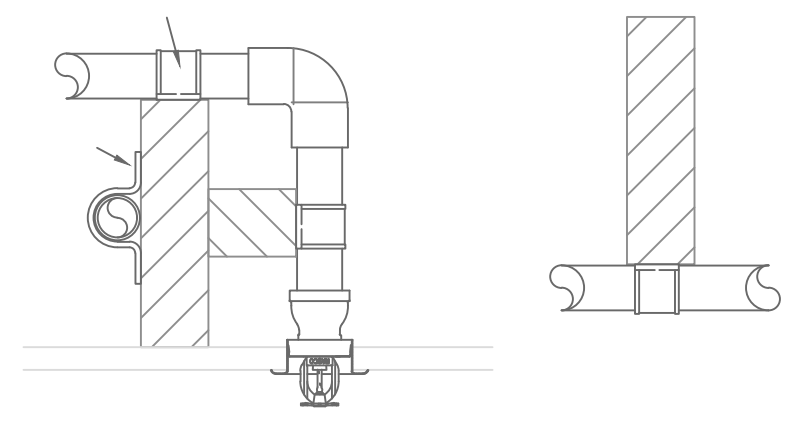
TABLE B
CORROSION RESISTANT

NOMINAL PIPE SIZE	LESS THAN 1/2" THICK	GREATER THAN 1/2" THICK
1/2"	2'-0"	2'-0"
3/4"	2'-0"	2'-0"
1"	2'-0"	2'-0"
1 1/4"	2'-0"	2'-0"
1 1/2"	2'-0"	2'-0"

TABLE C
100% CORROSION RESISTANT

NOMINAL PIPE SIZE	LESS THAN 1/2" THICK	GREATER THAN 1/2" THICK
1/2"	2'-0"	2'-0"
3/4"	2'-0"	2'-0"
1"	2'-0"	2'-0"
1 1/4"	2'-0"	2'-0"
1 1/2"	2'-0"	2'-0"

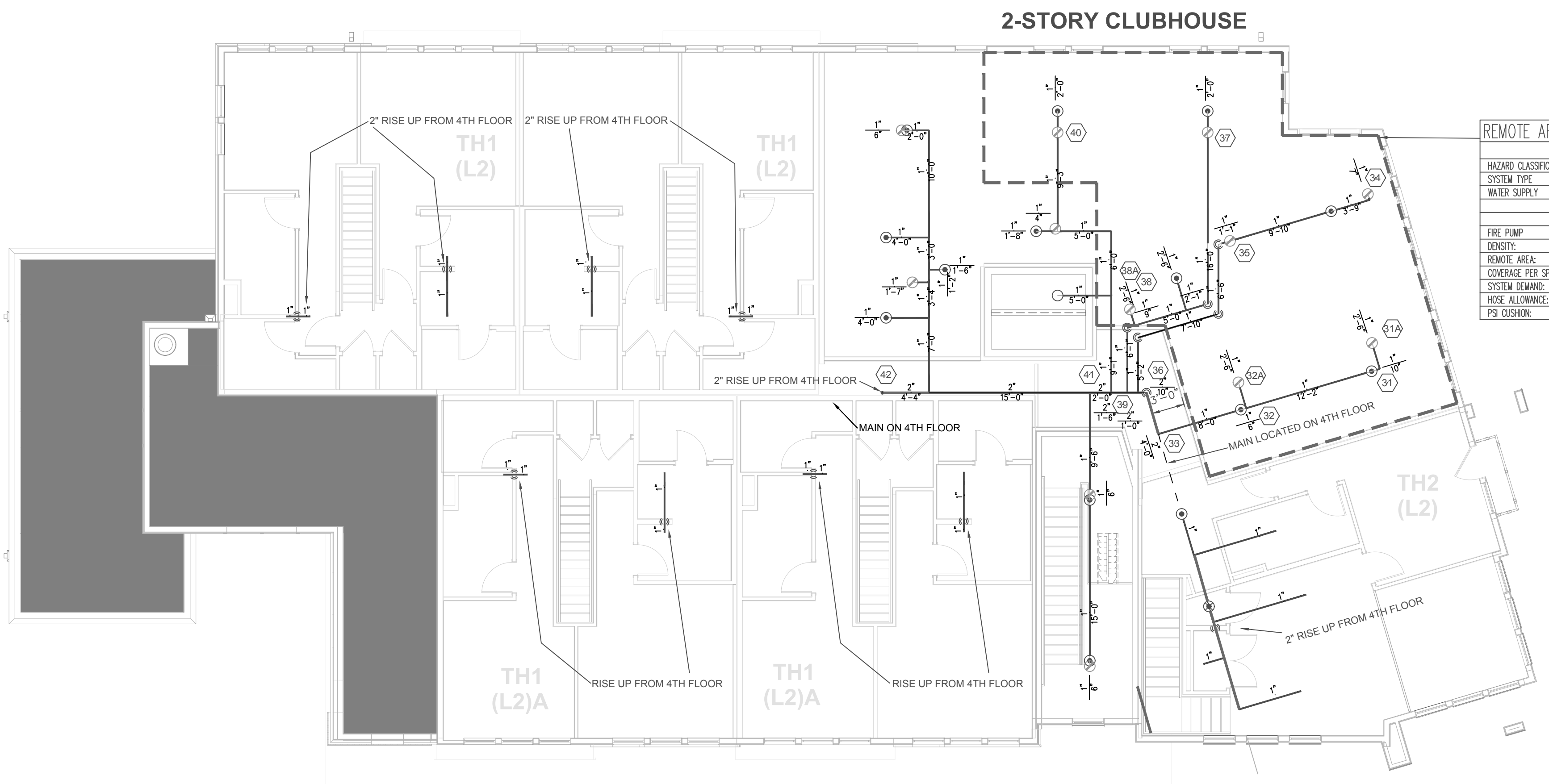
WHEN ALL ARE EQUAL, REFER TO TABLE B.1 FOR CORROSION RESISTANT. REFER TO TABLE C FOR 100% CORROSION RESISTANT.



SEE 2000 BUILDING UNIT PLANS FOR PIPING AND SPRINKLER HEAD LAYOUT IN UNITS

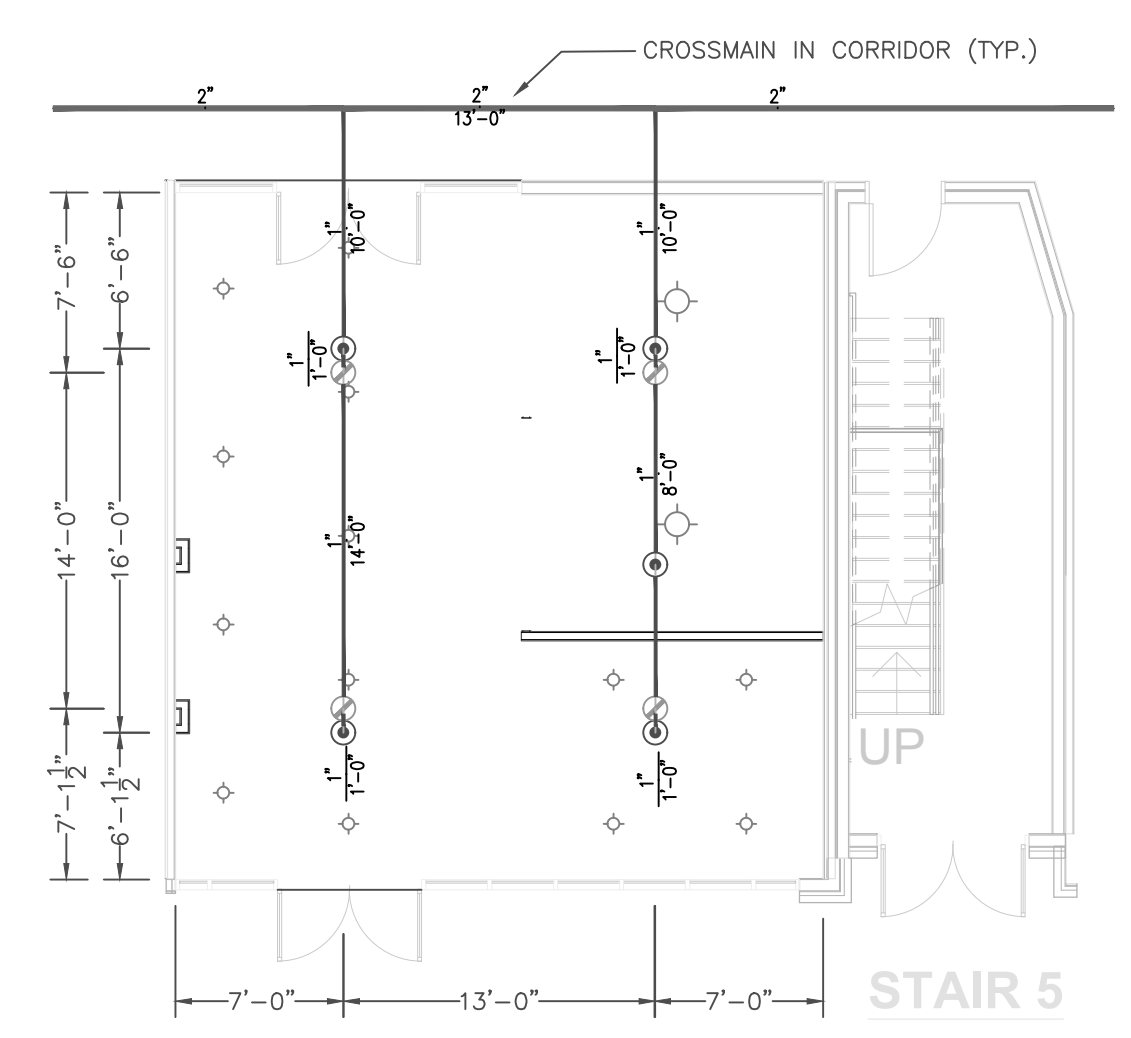
SPRINKLER HEAD SPACING CHART

AREAS	SPRINKLER HEAD	MAX. SPACING	MAX. DISTANCE OFF WALL
RESIDENTIAL - CORRIDOR	TYCO EC-8.8 OR RECESSED PENDENT	16' x 16' = 256 SQ. FT.	8'-0"
RESIDENTIAL - MECHANICAL / ELECTRIC (ALL FLOORS)	TYCO EC-8.8 OR RECESSED PENDENT	16' x 16' = 256 SQ. FT.	8'-0"
RESIDENTIAL - UNITS LEVELS 1 - 5 (WORKERS)	TYCO SERIES LITE 5 BK RESIDENTIAL PENDENT	16' x 16' = 256 SQ. FT.	8'-0"
RESIDENTIAL - UNITS LEVELS 1 - 5 (EXTERIOR BALCONY)	GLOBE GL - 1" NPT 5.6K RESIDENTIAL DRY SIDEWALL	16' x 16' = 256 SQ. FT.	8'-0"
RESIDENTIAL - INTERSTITIAL SPACES (ALL FLOORS)	TYCO TY-7 RB 5.6K PENDENT	16' x 16' = 256 SQ. FT.	8'-0"

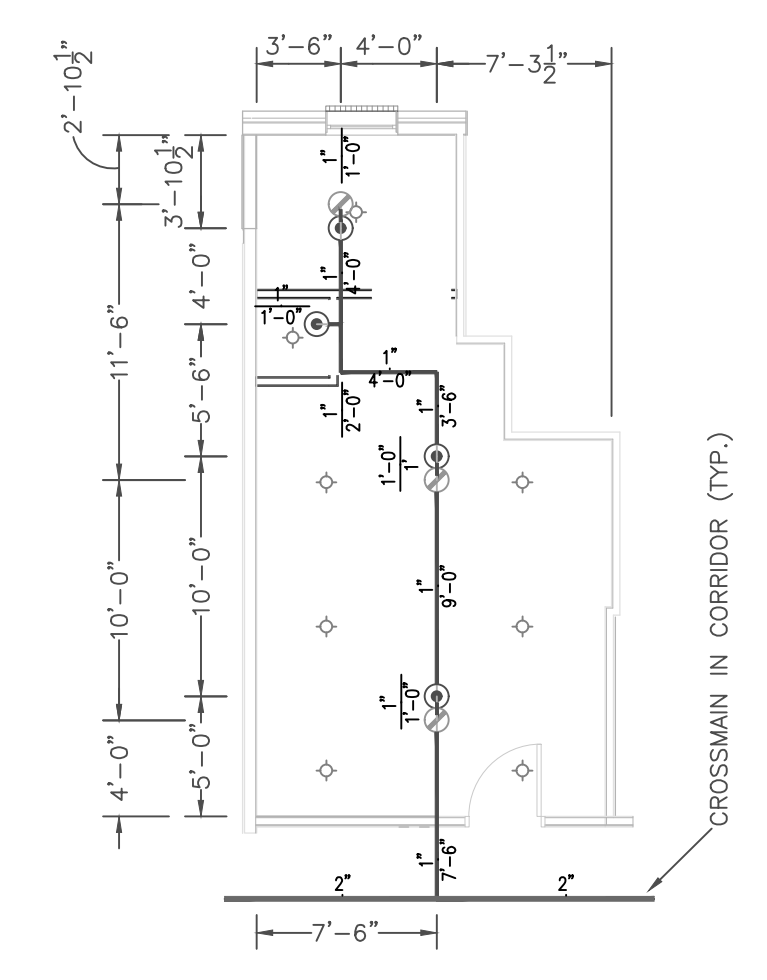


REMOTE AREA - LEVEL 5 "COIN" UPRIGHT

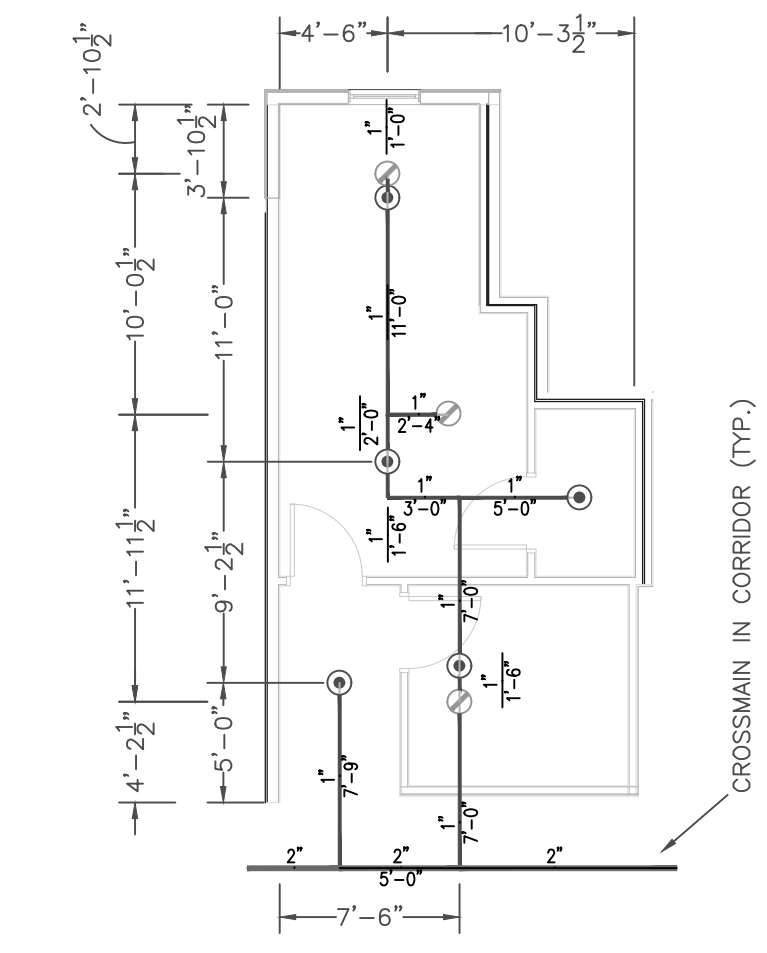
HAZARD CLASSIFICATION		HYDRAULIC DESIGN DATA	
SYSTEM TYPE	WET PIPE	WATER SUPPLY	STATIC: 66 PS
			RESIDUAL: 54 PS
			GNM FLOOR: 1,875 GPM
			400-GPM @ 75-PS
			0.10 GPM
			1000 SQ. FT. (ACTUAL = 1,027)
			COVERAGE PER SPRINKLER: VARIES (AVG. = 147 SQ. FT.)
			165.0 GPM @ 21.73 PS
			100 GPM - OUTSIDE HOSE INCLUDED
			13.95 PS



LEASING OFFICE



WORKROOM



DOGWASH / STORAGE ROOM

BUILDING 2000 LEVEL 5
SCALE: 1/8" = 1'-0"

NICET Level IV Automatic Sprinkler System Layout Certification #79357
Richard P. Kossler

Riverside Jacksonville @ Bishopgate
Jacksonville, Florida

2000 BUILDING - LEVEL 5 SPRINKLER

2220 COUNTY RD. 210 WEST
SUITE NO. 108-130
JACKSONVILLE, FL 32259
PH: 904-459-1527

REVISIONS & APPROVALS

NO.	DATE	BY	DESCRIPTION
1	8/27/16	ISSUE FOR PERMIT	

SYMBOLS:

- 1" CPVC
- 1/2" CPVC
- 3/4" CPVC
- 1" CPVC
- 1 1/4" CPVC
- 1 1/2" CPVC
- 2" CPVC
- 2 1/2" CPVC
- 3" CPVC
- 4" CPVC
- 6" CPVC
- 8" CPVC
- 10" CPVC
- 12" CPVC
- 14" CPVC
- 16" CPVC
- 18" CPVC
- 20" CPVC
- 24" CPVC
- 30" CPVC
- 36" CPVC
- 42" CPVC
- 48" CPVC
- 54" CPVC
- 60" CPVC
- 72" CPVC
- 84" CPVC
- 96" CPVC
- 108" CPVC
- 120" CPVC
- 132" CPVC
- 144" CPVC
- 156" CPVC
- 168" CPVC
- 180" CPVC
- 192" CPVC
- 204" CPVC
- 216" CPVC
- 228" CPVC
- 240" CPVC
- 252" CPVC
- 264" CPVC
- 276" CPVC
- 288" CPVC
- 300" CPVC
- 312" CPVC
- 324" CPVC
- 336" CPVC
- 348" CPVC
- 360" CPVC
- 372" CPVC
- 384" CPVC
- 396" CPVC
- 408" CPVC
- 420" CPVC
- 432" CPVC
- 444" CPVC
- 456" CPVC
- 468" CPVC
- 480" CPVC
- 492" CPVC
- 504" CPVC
- 516" CPVC
- 528" CPVC
- 540" CPVC
- 552" CPVC
- 564" CPVC
- 576" CPVC
- 588" CPVC
- 600" CPVC
- 612" CPVC
- 624" CPVC
- 636" CPVC
- 648" CPVC
- 660" CPVC
- 672" CPVC
- 684" CPVC
- 696" CPVC
- 708" CPVC
- 720" CPVC
- 732" CPVC
- 744" CPVC
- 756" CPVC
- 768" CPVC
- 780" CPVC
- 792" CPVC
- 804" CPVC
- 816" CPVC
- 828" CPVC
- 840" CPVC
- 852" CPVC
- 864" CPVC
- 876" CPVC
- 888" CPVC
- 900" CPVC
- 912" CPVC
- 924" CPVC
- 936" CPVC
- 948" CPVC
- 960" CPVC
- 972" CPVC
- 984" CPVC
- 996" CPVC
- 1008" CPVC
- 1020" CPVC
- 1032" CPVC
- 1044" CPVC
- 1056" CPVC
- 1068" CPVC
- 1080" CPVC
- 1092" CPVC
- 1104" CPVC
- 1116" CPVC
- 1128" CPVC
- 1140" CPVC
- 1152" CPVC
- 1164" CPVC
- 1176" CPVC
- 1188" CPVC
- 1200" CPVC
- 1212" CPVC
- 1224" CPVC
- 1236" CPVC
- 1248" CPVC
- 1260" CPVC
- 1272" CPVC
- 1284" CPVC
- 1296" CPVC
- 1308" CPVC
- 1320" CPVC
- 1332" CPVC
- 1344" CPVC
- 1356" CPVC
- 1368" CPVC
- 1380" CPVC
- 1392" CPVC
- 1404" CPVC
- 1416" CPVC
- 1428" CPVC
- 1440" CPVC
- 1452" CPVC
- 1464" CPVC
- 1476" CPVC
- 1488" CPVC
- 1500" CPVC
- 1512" CPVC
- 1524" CPVC
- 1536" CPVC
- 1548" CPVC
- 1560" CPVC
- 1572" CPVC
- 1584" CPVC
- 1596" CPVC
- 1608" CPVC
- 1620" CPVC
- 1632" CPVC
- 1644" CPVC
- 1656" CPVC
- 1668" CPVC
- 1680" CPVC
- 1692" CPVC
- 1704" CPVC
- 1716" CPVC
- 1728" CPVC
- 1740" CPVC
- 1752" CPVC
- 1764" CPVC
- 1776" CPVC
- 1788" CPVC
- 1800" CPVC
- 1812" CPVC
- 1824" CPVC
- 1836" CPVC
- 1848" CPVC
- 1860" CPVC
- 1872" CPVC
- 1884" CPVC
- 1896" CPVC
- 1908" CPVC
- 1920" CPVC
- 1932" CPVC
- 1944" CPVC
- 1956" CPVC
- 1968" CPVC
- 1980" CPVC
- 1992" CPVC
- 2004" CPVC
- 2016" CPVC
- 2028" CPVC
- 2040" CPVC
- 2052" CPVC
- 2064" CPVC
- 2076" CPVC
- 2088" CPVC
- 2100" CPVC
- 2112" CPVC
- 2124" CPVC
- 2136" CPVC
- 2148" CPVC
- 2160" CPVC
- 2172" CPVC
- 2184" CPVC
- 2196" CPVC
- 2208" CPVC
- 2220" CPVC
- 2232" CPVC
- 2244" CPVC
- 2256" CPVC
- 2268" CPVC
- 2280" CPVC
- 2292" CPVC
- 2304" CPVC
- 2316" CPVC
- 2328" CPVC
- 2340" CPVC
- 2352" CPVC
- 2364" CPVC
- 2376" CPVC
- 2388" CPVC
- 2400" CPVC
- 2412" CPVC
- 2424" CPVC
- 2436" CPVC
- 2448" CPVC
- 2460" CPVC
- 2472" CPVC
- 2484" CPVC
- 2496" CPVC
- 2508" CPVC
- 2520" CPVC
- 2532" CPVC
- 2544" CPVC
- 2556" CPVC
- 2568" CPVC
- 2580" CPVC
- 2592" CPVC
- 2604" CPVC
- 2616" CPVC
- 2628" CPVC
- 2640" CPVC
- 2652" CPVC
- 2664" CPVC
- 2676" CPVC
- 2688" CPVC
- 2700" CPVC
- 2712" CPVC
- 2724" CPVC
- 2736" CPVC
- 2748" CPVC
- 2760" CPVC
- 2772" CPVC
- 2784" CPVC
- 2796" CPVC
- 2808" CPVC
- 2820" CPVC
- 2832" CPVC
- 2844" CPVC
- 2856" CPVC
- 2868" CPVC
- 2880" CPVC
- 2892" CPVC
- 2904" CPVC
- 2916" CPVC
- 2928" CPVC
- 2940" CPVC
- 2952" CPVC
- 2964" CPVC
- 2976" CPVC
- 2988" CPVC
- 3000" CPVC

SCALE: 1/8" = 1'-0"
JOB NUMBER: 690
DATE: 8/1/2018