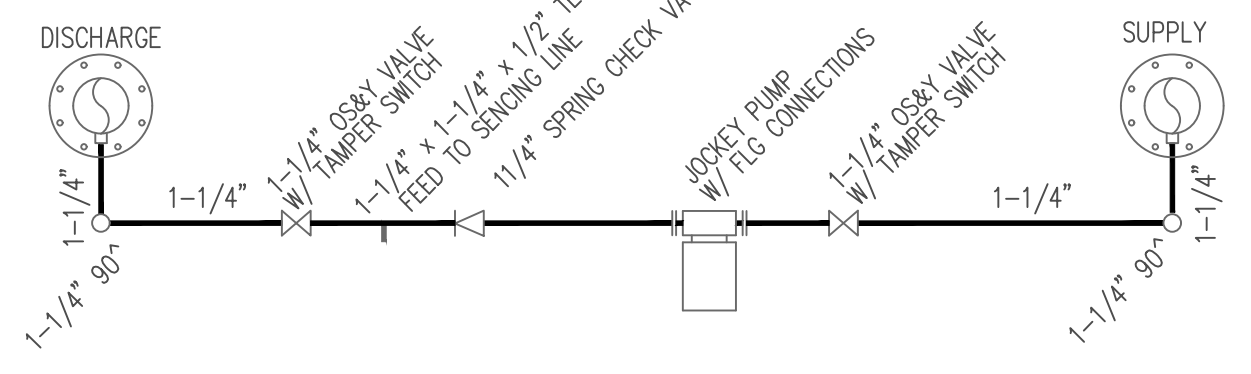
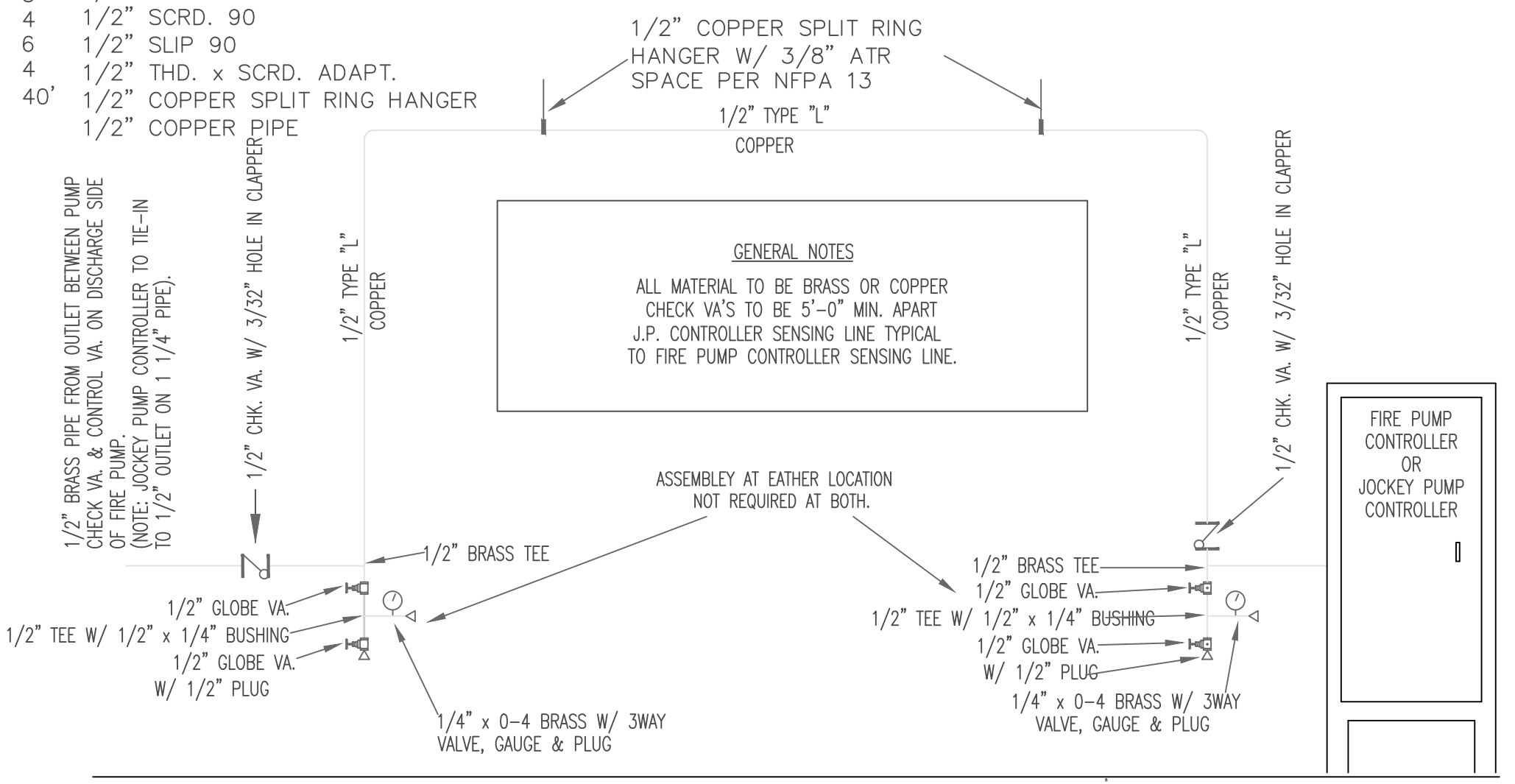


MATERIAL REQUIRED	
10	- 1-1/4" BCI SCR 90°
1	- 1-1/4" X 1-1/4" X 1/2" BCI SCR TEE
1	- 1-1/4" SPRING LOADED CHECK VALVE SCR
2	- 1-1/4" OS&Y VALVE SCR
2	- TAMPER SWITCH OS&Y
63	- 1-1/4" BLACK SCH 40 STEEL PIPE



JOCKEY PUMP ARRANGEMENT DETAIL
N.T.S.

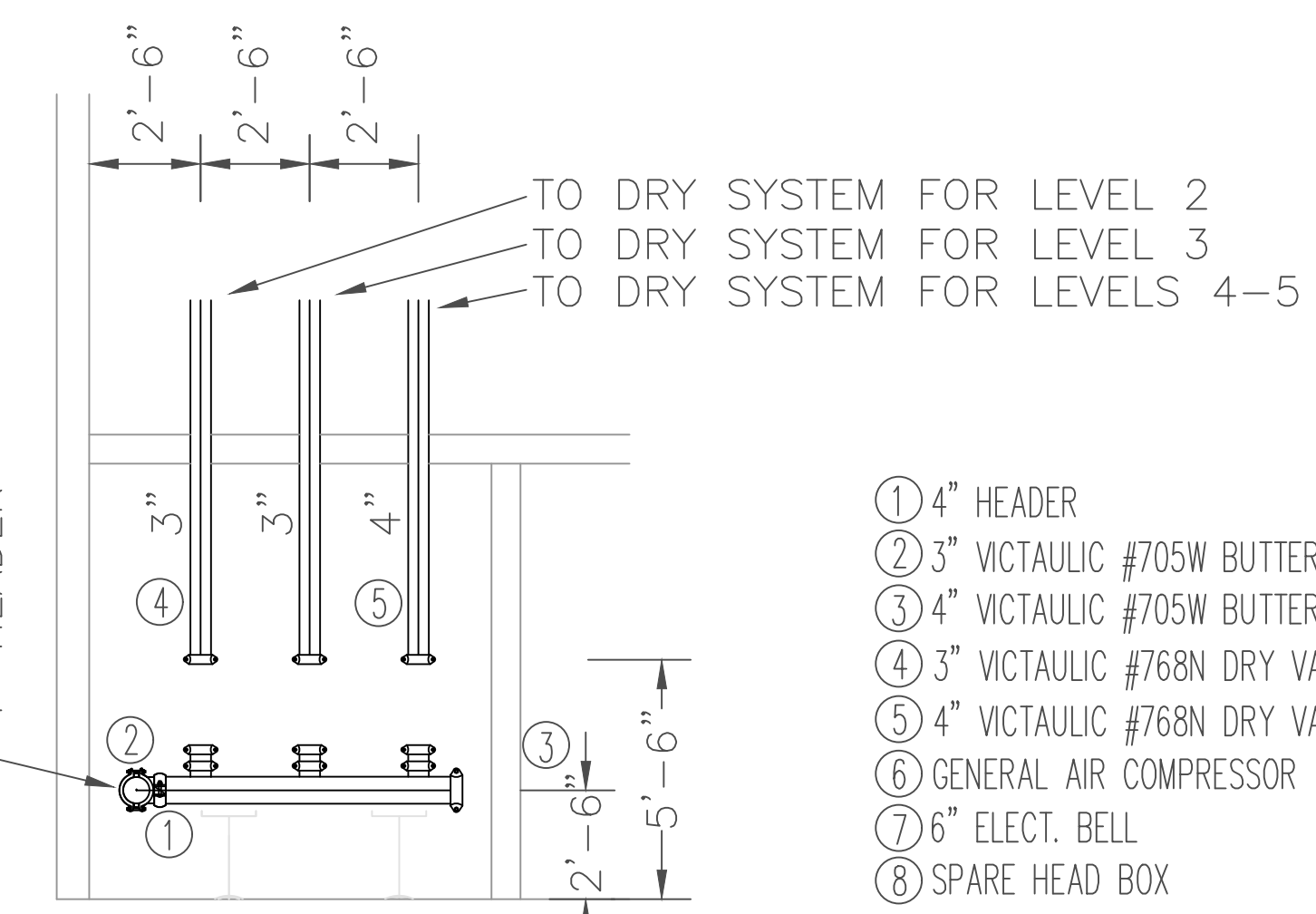
MATERIAL REQUIRED	
2	1/2" GLOBE VALVE SCRD.
2	1/2" SWING CHECK VALVE SCRD.
1	1/4" SCRD. PLUG
1	1/2" SCRD. PLUG
1	1/4" x 1/2" SCRD. BUSHING
1	1/2" x 0-3 TIT NIPPLE
1	1/2" SCRD. TEE
1	1/2" SCRD. 90
1	1/2" SLIP 90
4	1/2" THD. x SCRD. ADAPT.
40	1/2" COPPER SPLIT RING HANGER
	1/2" COPPER PIPE



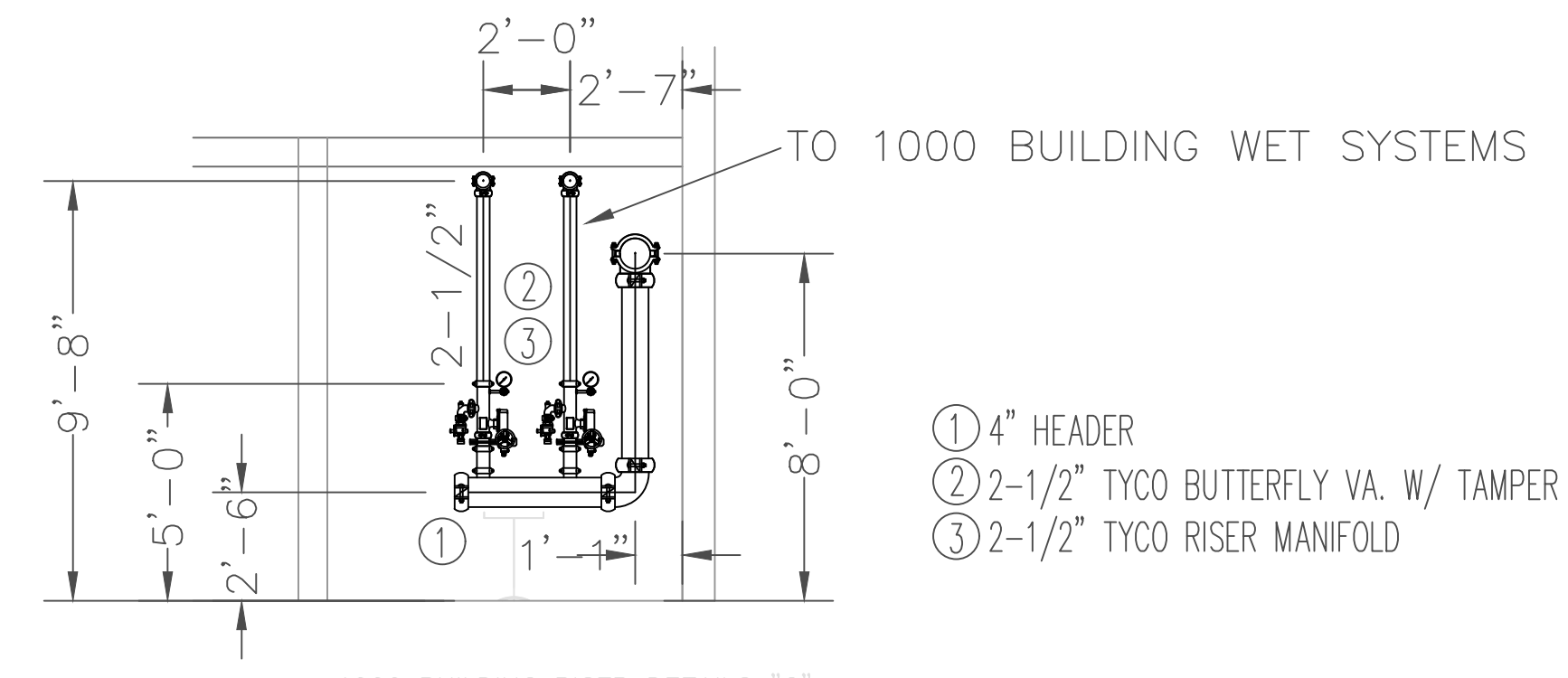
FIRE PUMP & JOCKEY PUMP SENSING LINE SCHEMATIC
N.T.S.

INSTALLATION MATERIAL FOR JOCKEY PUMP AND CONTROLLER

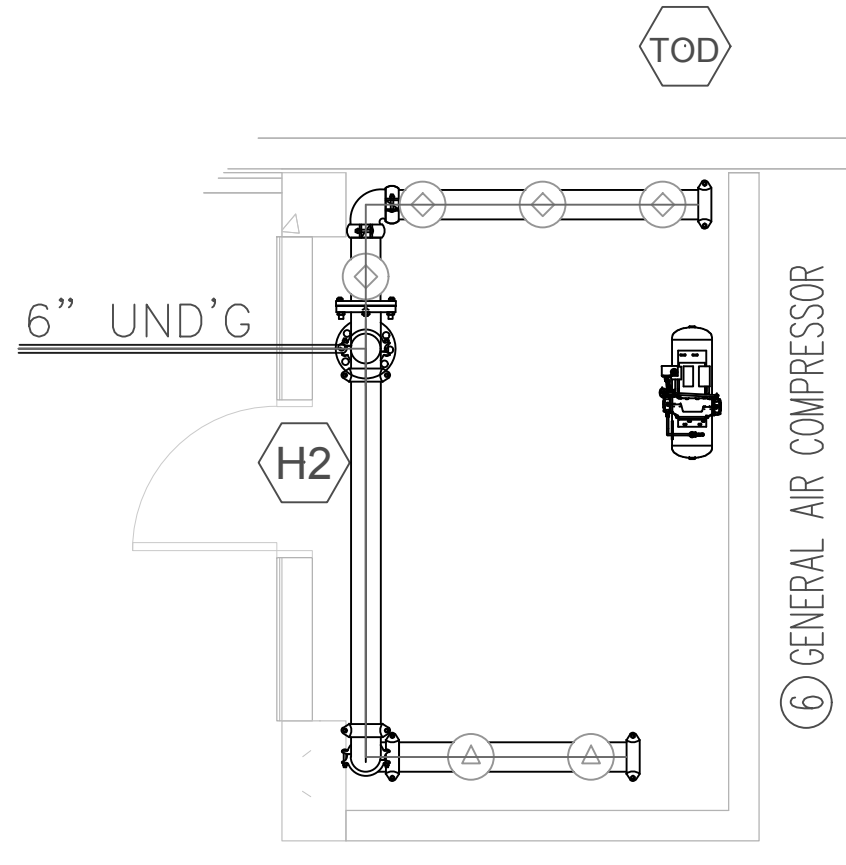
- ① 1/2" X 20'-0" BRASS PIPE
- ② 1/2" X 2" BRASS NIPPLES
- ③ 1/2" BRASS 90 ELL
- ④ 1/2" BRASS RESTRICTION CHECK VALVE
- ⑤ 1/2" X 3" BRASS NIPPLE
- ⑥ 1/2" X 1/2" BRASS TEES
- ⑦ 1/2" BRASS PLUGS
- ⑧ 1/2" BRONZE GLOBE VALVES
- ⑨ 1/2" BRONZE 3-WAY VALVE
- ⑩ 300# PRESSURE GAUGE
- ⑪ 1/4" BRASS PLUG
- ⑫ 1/4" X 6" BRASS NIPPLES
- ⑬ 1/4" BRASS UNION
- ⑭ 1/2" BRASS TEE
- ⑮ 1/2" 90 SWEAT ELLS
- ⑯ 1/2" X 1/2" MALE TO FEMALE SWEAT TO THREAD ADAPTORS
- ⑰ 1/2" SWEAT COUPLING
- ⑱ 1/4" BRASS 90 ELL
- ⑳ 3/8" DROP-IN ANCHORS
- ㉑ 3/8" JUMBO WASHERS
- ㉒ 3/8" HEX NUTS
- ㉓ 3/8" X 10" M.S. RODS



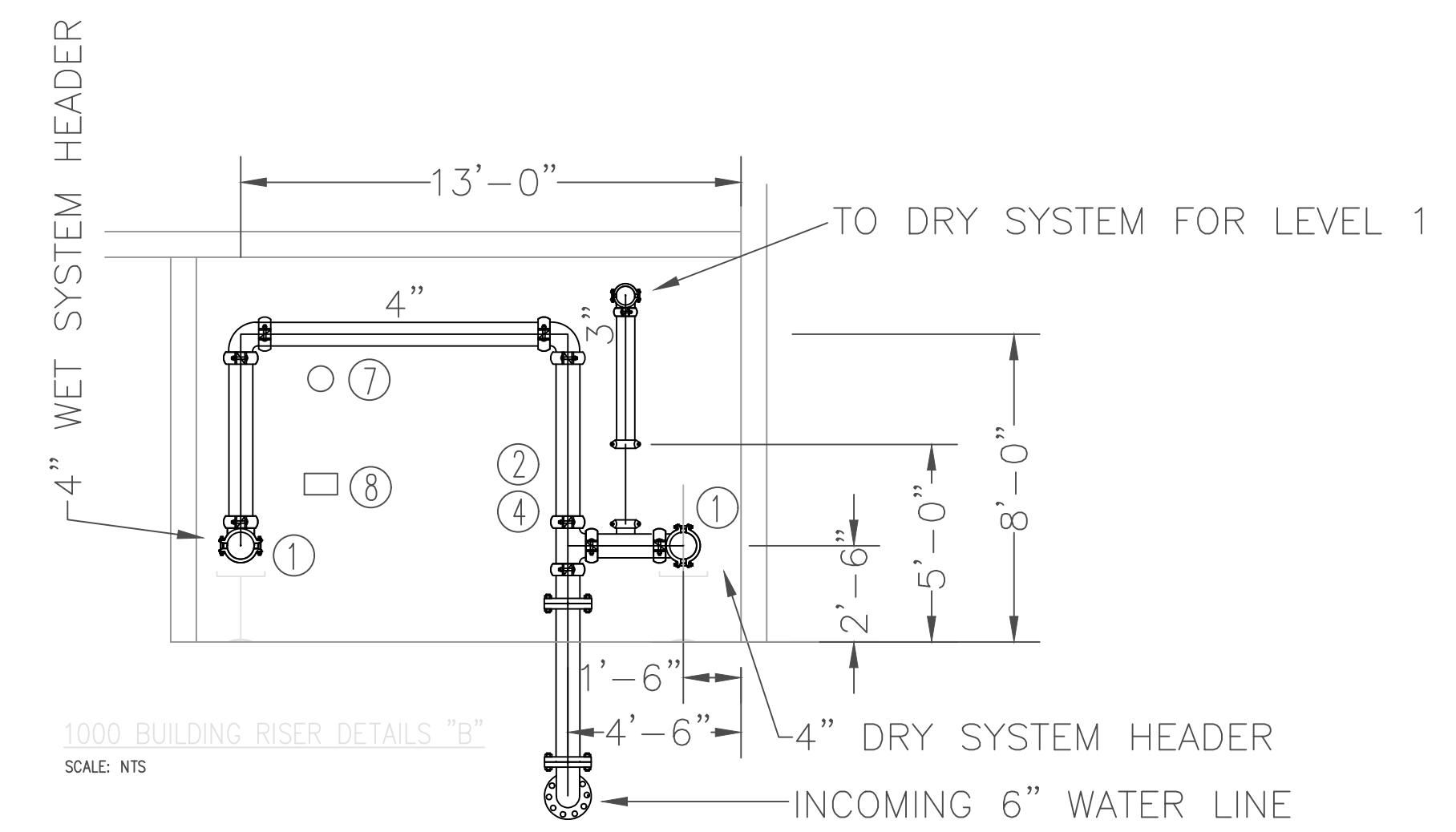
1000 BUILDING RISER DETAILS "A"
SCALE: N.T.S.



1000 BUILDING RISER DETAILS "C"
SCALE: N.T.S.

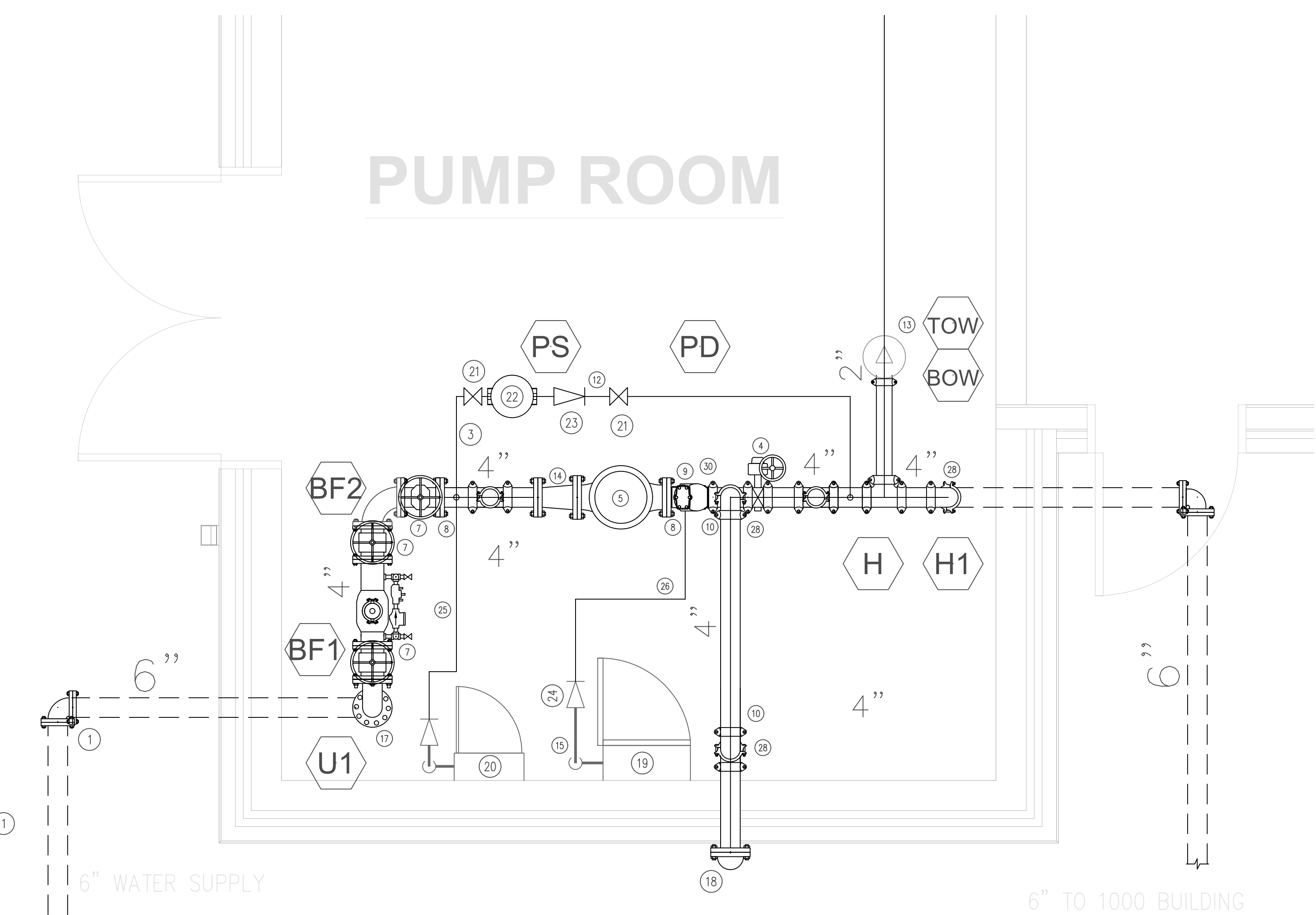


1000 BUILDING RISER FLOOR PLAN
SCALE: N.T.S.

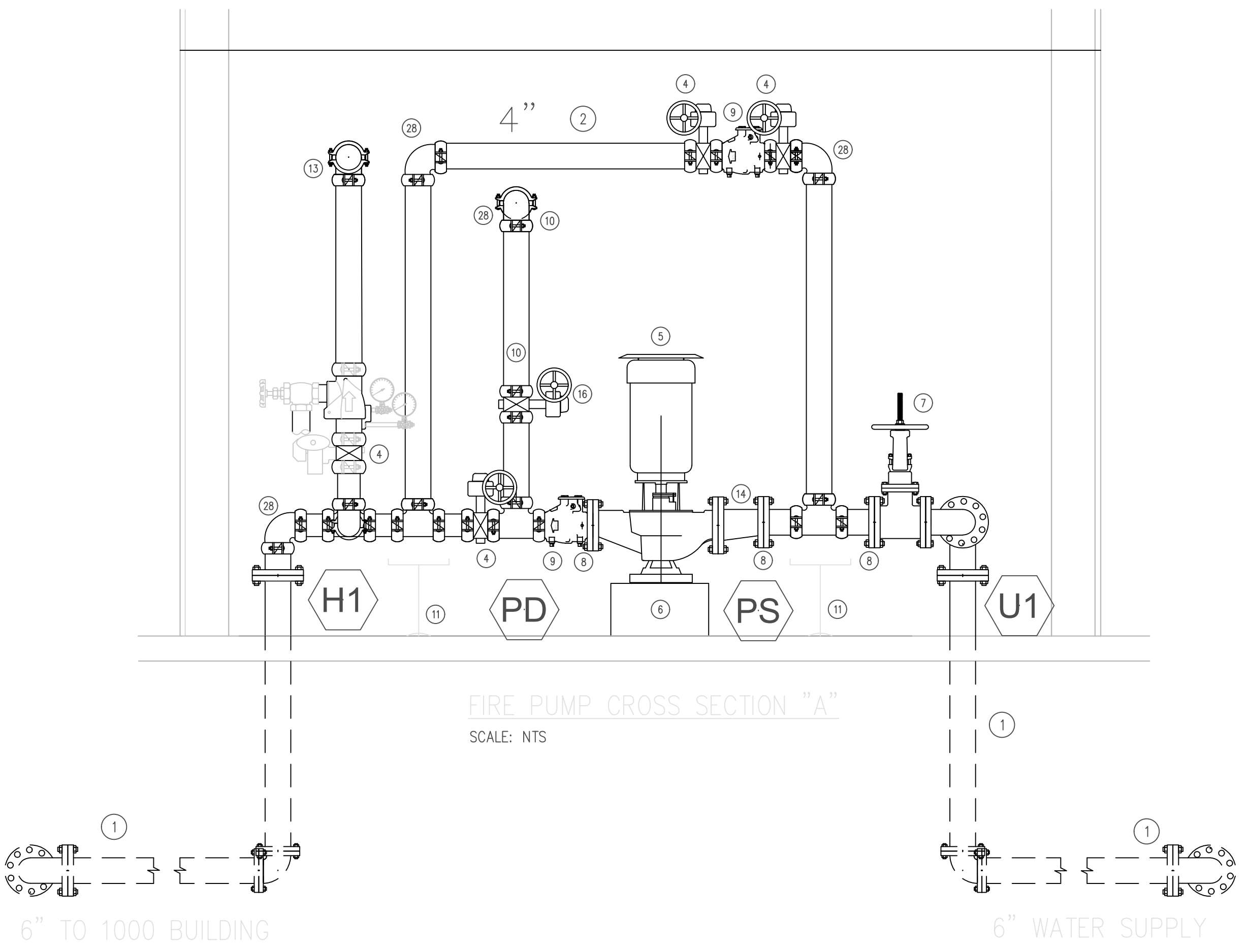


1000 BUILDING RISER DETAILS "B"
SCALE: N.T.S.

PUMP ROOM



FIRE PUMP ROOM LAYOUT - 2000 BUILDING
SCALE: NO SCALE



FIRE PUMP CROSS SECTION "A"
SCALE: N.T.S.

REVISIONS & APPROVALS				
NO.	DATE	BY	ISSUE FOR	DESCRIPTION
1	8/27/16		ISSUE FOR PERMIT	

FIRE PUMP LEGEND	
1.	6" SUPPLY FEED FROM CITY WATER
2.	4" BYPASS LINE PER N.F.P.A. 20
3.	1-1/4" SUPPLY FEED TO JOCKEY PUMP
4.	4" GROOVED BUTTERFLY VALVE W/ TAMPER SWITCH
5.	VERTICAL IN LINE ELECTRIC FIRE PUMP 75 PSI @ 400 G.P.M., 30 H.P., 3 PHASE, 60 HERTZ, 208 VOLT, 3500 R.P.M.
6.	PUMP PAD (BY OTHERS)
7.	4" FLANGED OS&Y W/ TAMPER SWITCH
8.	4" GROOVED FLANGE
9.	4" GROOVED CHECK VALVE W/ (2) 1" TAPS
10.	4" FEED PIPING TO TEST HEADER
11.	PIPE STAND ADJUSTABLE
12.	1-1/4" DISCHARGE FEED FROM JOCKEY PUMP
13.	4" FEED TO BUILDING SPRINKLER SYSTEM
14.	5" X 4" FLANGED ECCENTRIC INCREASER
15.	1/2" FEED TO FIRE PUMP SENSING LINE
16.	4" GROOVED BUTTERFLY VALVE W/ TAMPER SWITCH (NORMALLY CLOSED) TO CONTROL TEST HEADER
17.	6" X 4" FLANGED REDUCING ELBOW
18.	TEST HEADER W/ (2) - 2" HOSE VALVES, CAPS & CHAINS
19.	FIRE PUMP CONTROLLER
20.	JOCKEY PUMP CONTROLLER
21.	1-1/4" SCREWED OS&Y VALVE W/ TAMPER SWITCH
22.	JOCKEY PUMP
23.	1-1/4" SCREWED CHECK VALVE
24.	1/2" CHECK VALVE W/ 3/32" HOLE IN CLAPPER IN SENSING LINE
25.	JOCKEY PUMP SENSING LINE
26.	FIRE PUMP SENSING LINE
27.	1-1/4" X 1/2" X 1-1/4" BCI SCR TEE
28.	4" GROOVED SR 90-DEGREE ELBOW OR TEE AND RIGID COUPLING

NOTES:
 - PUMP ROOM TO BE HEATED AND LIGHTED PER N.F.P.A. 20
 - FLOOR DRAIN TO BE LOCATED IN ROOM BY OTHERS
 - FIRE PUMP TO BE INSTALLED AND TESTED PER N.F.P.A. 20 2013
 - EDITION ALL WIRING, ELECTRICAL WORK, FIRE ALARM, TO BE BY OTHERS
 - AFTER FIRE PUMP HAS BEEN ALIGNED AND TESTED ENTIRE BASE SHALL BE COMPLETELY FILLED WITH NON-SHRINK GROUT BY OTHERS

NICET Level IV Automatic Sprinkler System Layout Certification #79357
Richard P. Kossler

Riverside @ Bishops Gate
Jacksonville, Florida

FIRE PUMP & GENERAL DETAILS

Summit Fire Protection
2220 COUNTY RD. 210 WEST
SUITE NO. 108-130
JACKSONVILLE, FL 32209
TEL: 904-452-1027

REV.	DATE	DESCRIPTION	BY	APP'D.

TOTAL SPRINKLER SYSTEMS	
NO. OF SYSTEMS	NO. OF VALVES

SCALE: 1/8" = 1'-0"
JOB NUMBER: 690
DATE: 8/1/2018