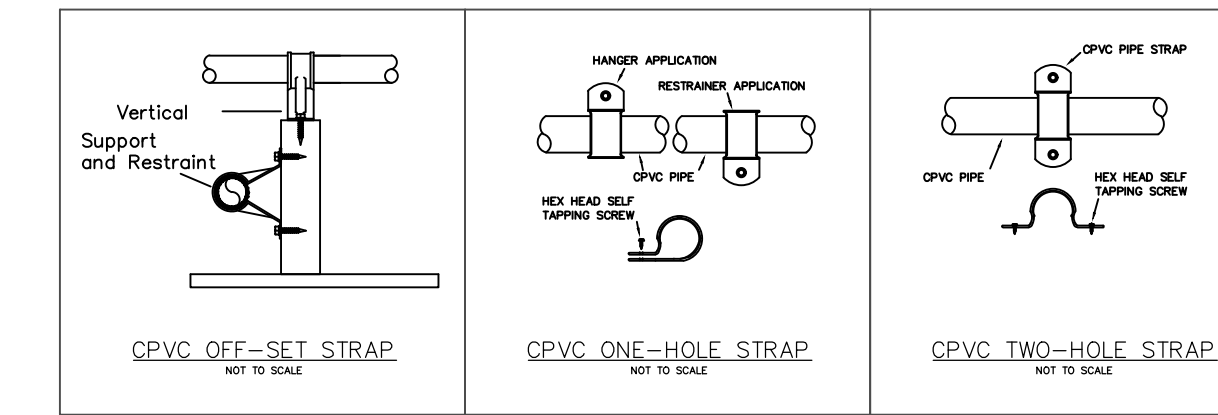
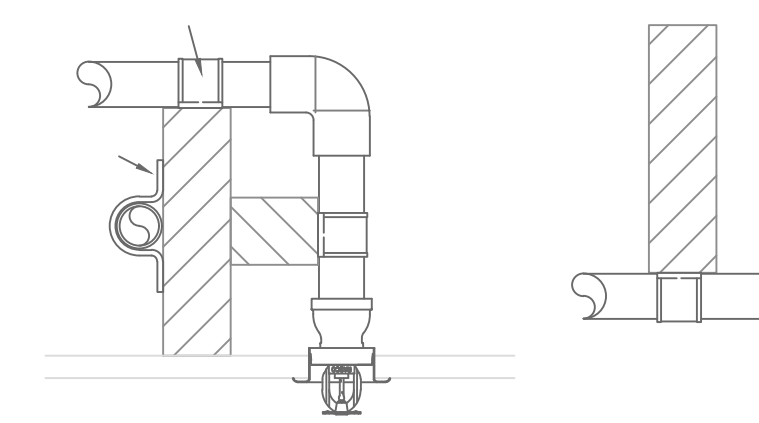
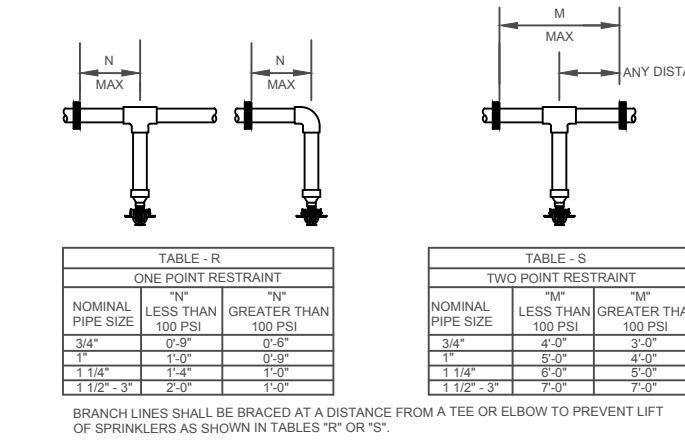


BUILDING 2000 LEVEL 1

SCALE: 1/8" = 1'-0"

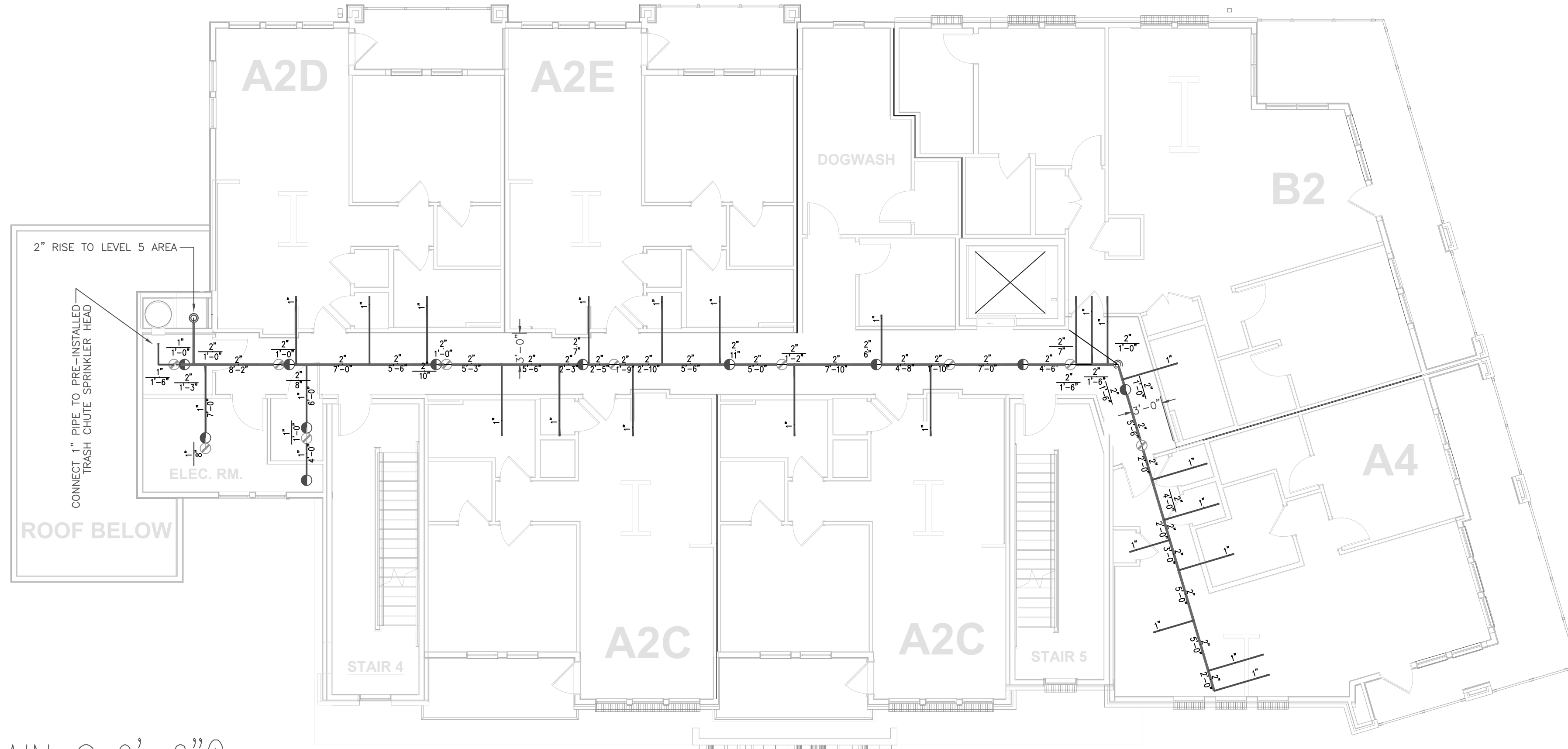


PIPE TYPE	1"	1 1/4"	1 1/2"	2"	2 1/2"	3"	4"	6"
BLACK STEEL SCH. 40	12-0"	12-0"	12-0"	12-0"	12-0"	12-0"	12-0"	12-0"
BLACK STEEL SCH. 40	12-0"	12-0"	12-0"	12-0"	12-0"	12-0"	12-0"	12-0"
CPVC	18-0"	18-0"	18-0"	18-0"	18-0"	18-0"	18-0"	18-0"



INSTALL MAIN @ 9'-6" C

INSTALL MAIN @ 9'-6" C



BUILDING 2000 LEVEL 2

SCALE: 1/8" = 1'-0"

AREAS	SPRINKLER HEAD	MAX. SPACING	MAX. DISTANCE OFF WALL
RESIDENTIAL - CORRIDOR	TYCO EC-8 BK RECESSED PENDENT	16' x 16' = 256 SQ. FT.	8'-0"
RESIDENTIAL - MECHANICAL/ELECTRIC (ALL FLOORS)	TYCO EC-8 BK RECESSED PENDENT	16' x 16' = 256 SQ. FT.	8'-0"
RESIDENTIAL - UNITS LEVELS 1-5 (BROOKS)	TYCO SERIES 114 BK RESIDENTIAL PENDENT	16' x 16' = 256 SQ. FT.	8'-0"
RESIDENTIAL - UNITS LEVELS 1-5 (EXTERIOR BALCONY)	GLOBE GL-1 NPT 5 BK RESIDENTIAL DRY SIDEWALL	16' x 16' = 256 SQ. FT.	8'-0"
RESIDENTIAL - INTERSTITIAL SPACES (ALL FLOORS)	TYCO TY-FRB 8 BK PENDENT	16' x 16' = 256 SQ. FT.	8'-0"

SEE 1000 BUILDING UNIT PLANS FOR PIPING AND SPRINKLER HEAD LAYOUT IN UNITS

NICET Level IV Automatic Sprinkler System Layout Certification #79357
Richard P. Kosler

Riverside Jacksonville @ Bishopgate
Jacksonville, Florida

2000 BUILDING - LEVELS 1&2 SPRINKLER

2220 COUNTY RD. 210 WEST
SUITE NO. 108-139
JACKSONVILLE, FLORIDA 32259
TEL: 904-552-1527

REVISIONS & APPROVALS

NO. DATE BY DESCRIPTION

NO.	DATE	BY	DESCRIPTION
1	8/27/18	ISSUE FOR PERMIT	

SYMBOLS: (various symbols for different components)

SCALE: 1/8" = 1'-0"

JOB NUMBER: 690

DATE: 8/1/2018

FP-6A
18 of 21