

PIPE TYPE	1"	1 1/2"	2"	2 1/2"	3"	4"	6"
BLACK STEEL SCH. 40	12'-0"	15'-0"	18'-0"	18'-0"	18'-0"	18'-0"	18'-0"
BLACK STEEL SCH. 40	12'-0"	15'-0"	18'-0"	18'-0"	18'-0"	18'-0"	18'-0"
CPVC	12'-0"	15'-0"	18'-0"	18'-0"	18'-0"	18'-0"	18'-0"

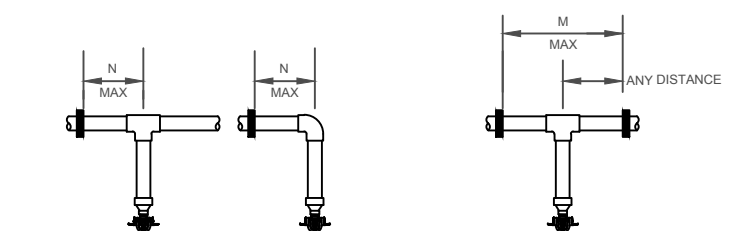
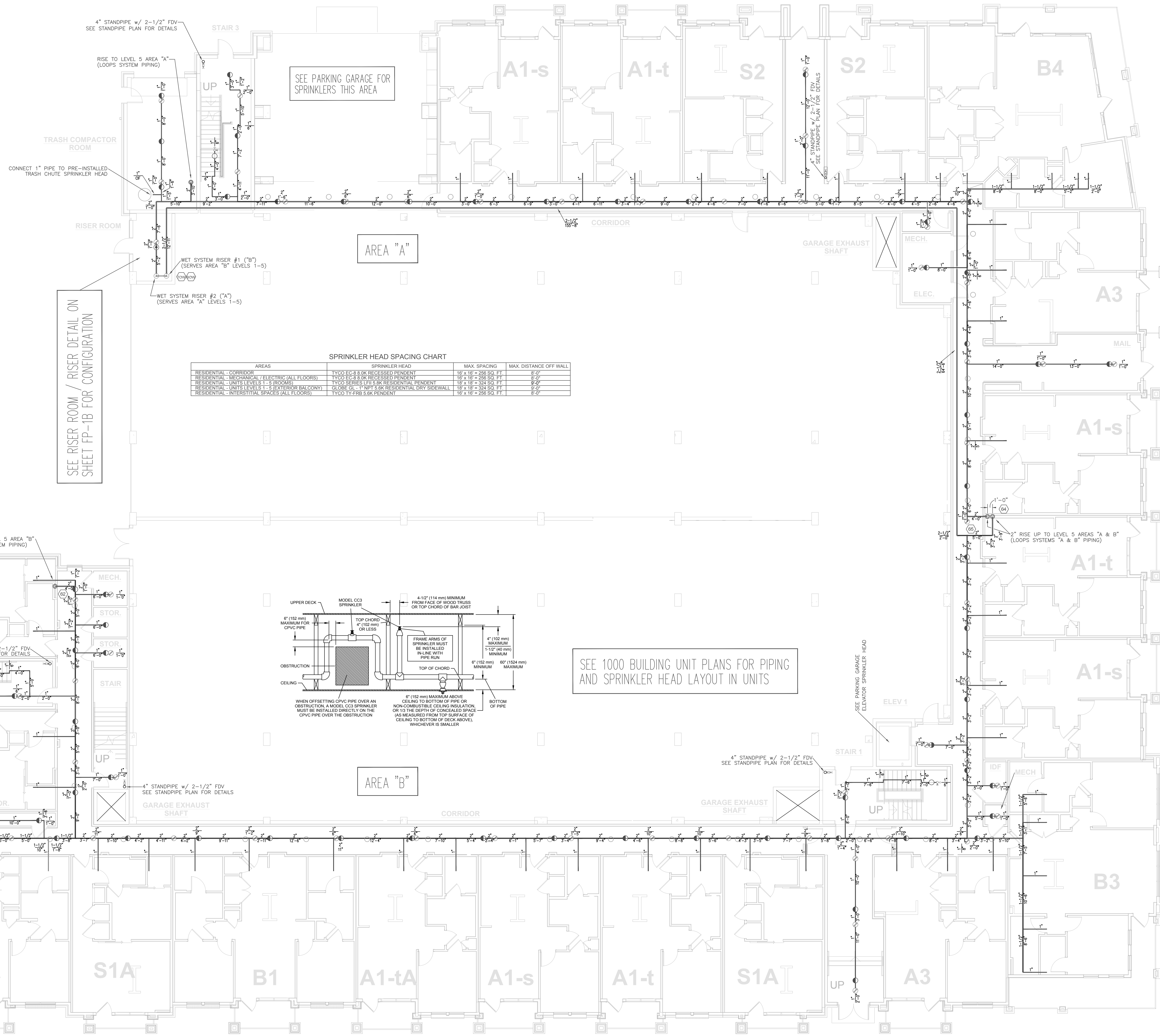
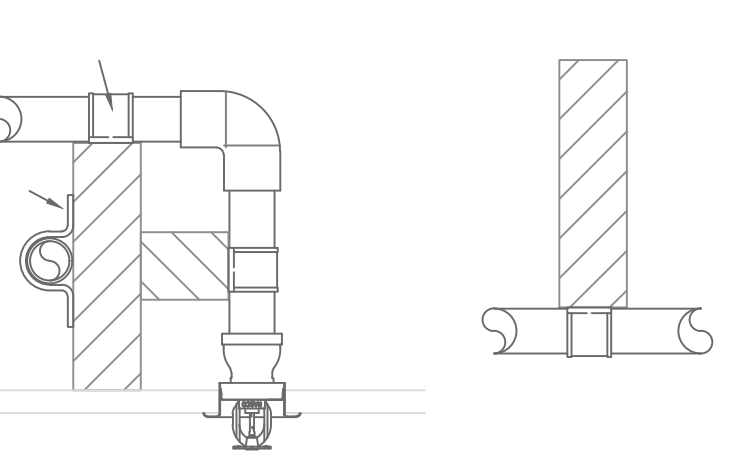
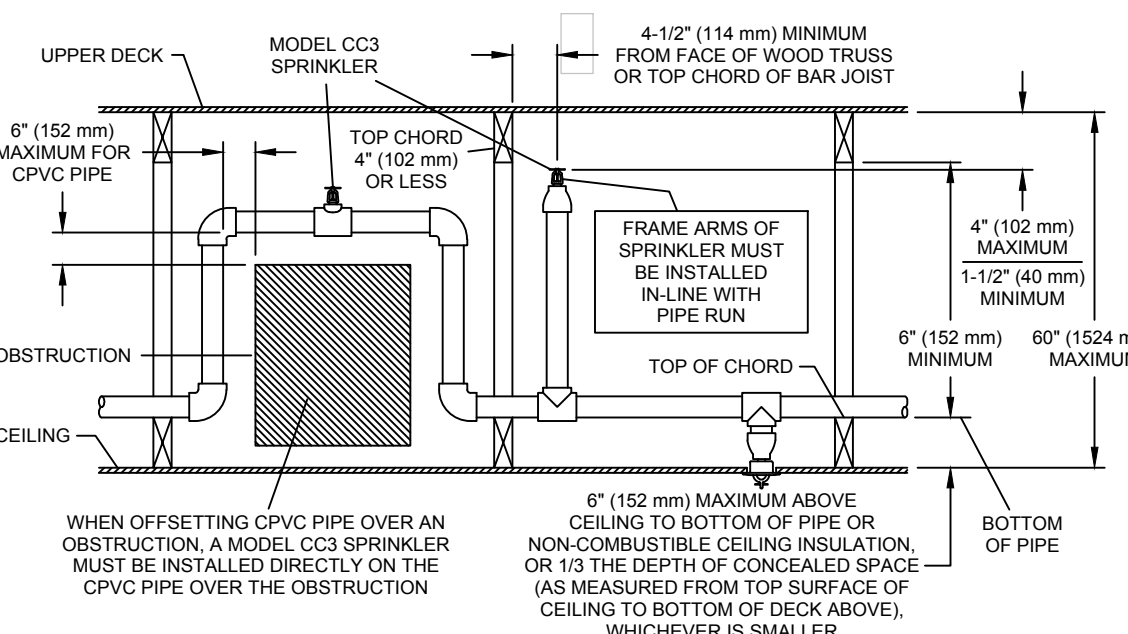


TABLE 2	TABLE 3
MAX. SPACING	MAXIMUM DISTANCE
NORMAL	NORMAL
LESS THAN	GREATER THAN
12'-0"	12'-0"
15'-0"	15'-0"
18'-0"	18'-0"
18'-0"	18'-0"
18'-0"	18'-0"
18'-0"	18'-0"
18'-0"	18'-0"
18'-0"	18'-0"



AREAS	SPRINKLER HEAD	MAX. SPACING	MAX. DISTANCE OFF WALL
RESIDENTIAL - CORRIDOR	TYCO EC-5.8 BK RECESSED PENDENT	16' x 16' = 256 SQ. FT.	8'-0"
RESIDENTIAL - MECHANICAL / ELECTRIC (ALL FLOORS)	TYCO EC-5.8 BK RECESSED PENDENT	16' x 16' = 256 SQ. FT.	8'-0"
RESIDENTIAL - UNITS LEVELS 1-5 (BROOKERS)	TYCO SERIES DFB 5.8K RESIDENTIAL PENDENT	16' x 16' = 256 SQ. FT.	8'-0"
RESIDENTIAL - UNITS LEVELS 1-5 (EXTERIOR BALCONY)	GLOBE GL-1" NPT 5.8K RESIDENTIAL DRY SIDEWALL	16' x 16' = 256 SQ. FT.	8'-0"
RESIDENTIAL - INTERSTITIAL SPACES (ALL FLOORS)	TYCO TY-FRB 5.8K PENDENT	16' x 16' = 256 SQ. FT.	8'-0"



SEE 1000 BUILDING UNIT PLANS FOR PIPING AND SPRINKLER HEAD LAYOUT IN UNITS

**Riverside Jacksonville @ Bishopgate**  
Jacksonville, Florida

1000 BUILDING - LEVEL 1 - SPRINKLER

2020 COUNTY RD. 210 WEST  
SUITE NO. 108-130  
JACKSONVILLE, FL 32209  
TEL: 904-552-9227

NO.	DATE	BY	REVISIONS & APPROVALS
1	8/27/18	ISSUE FOR PERMIT	

SYMBOL	DESCRIPTION	TOTAL SPRINKLERS	TOTAL US 2	WET PIPE SYSTEM
●	TYCO EC-5.8 BK EC WHITE RES. PENDENT	LEVEL 1 - 42		MEPA #13
○	TYCO EC-5.8 BK EC WHITE RES. UPRIGHT			
○	TYCO FFB 5.8 BK EC BRASS UPRIGHT			
○	TYCO DFB 5.8 BK EC WHITE RESIDENTIAL			
○	TYCO DFB 5.8 BK EC WHITE RESIDENTIAL			
○	TYCO DFB 5.8 BK EC WHITE RESIDENTIAL			
○	TYCO DFB 5.8 BK EC WHITE RESIDENTIAL			
○	TYCO DFB 5.8 BK EC WHITE RESIDENTIAL			
○	TYCO DFB 5.8 BK EC WHITE RESIDENTIAL			
○	TYCO DFB 5.8 BK EC WHITE RESIDENTIAL			
○	TYCO DFB 5.8 BK EC WHITE RESIDENTIAL			

SCALE: 1/8" = 1'-0"  
JOB NUMBER: 690  
DATE: 8/1/2018

FP-5A  
11 of 21